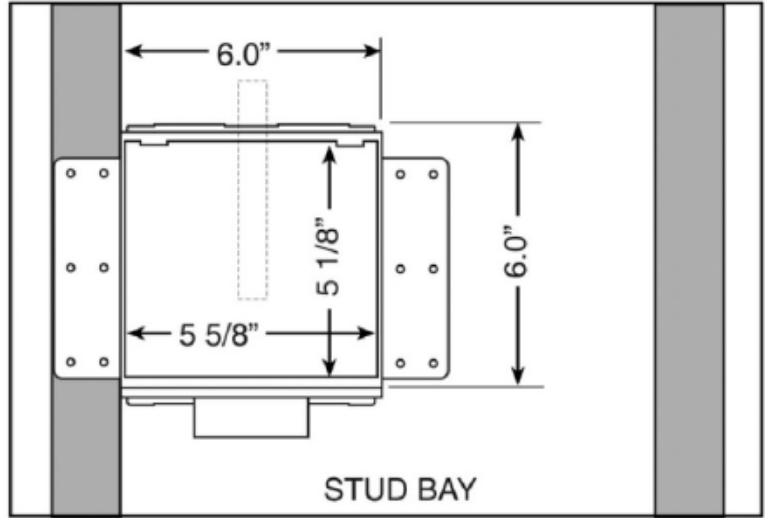
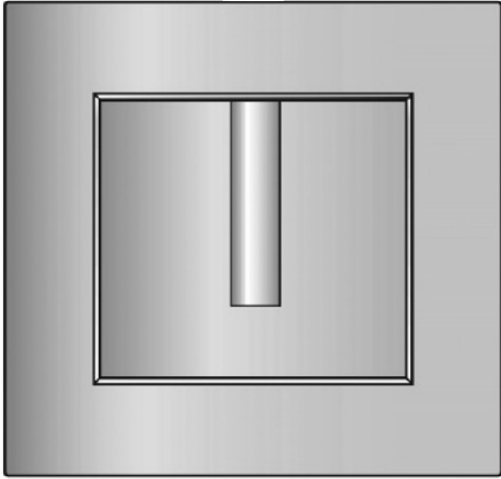




“FR-12” AUXILIARY DRAIN OUTLET BOX



SPECIFICATION

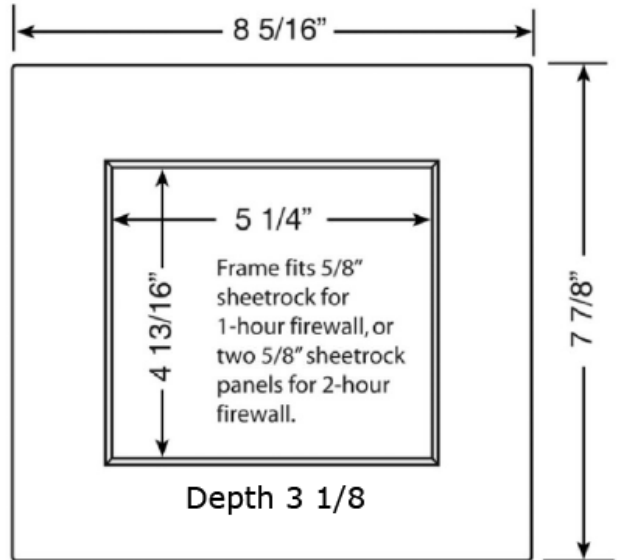
Furnish and install fire rated recessed auxiliary drain outlet box. Unit shall be Guy Gray product #82458 as manufactured by IPS Corporation.

BOX MATERIAL

PVC Resin & Intumescent Pad attached

NOTE:

- Add fireproof caulking in gaps where pipe enters the top of the box
- Drains may be nominal 2” or larger PVC, ABS or metallic pipe
- Auxiliary line may be 1/2” or 3/4” copper, CPVC, or PEX tubing



Product Code #	Product Description	Model Number	Units/ Case
82458	Fire Rated Auxiliary Drain Outlet Box	FRAD12	5

