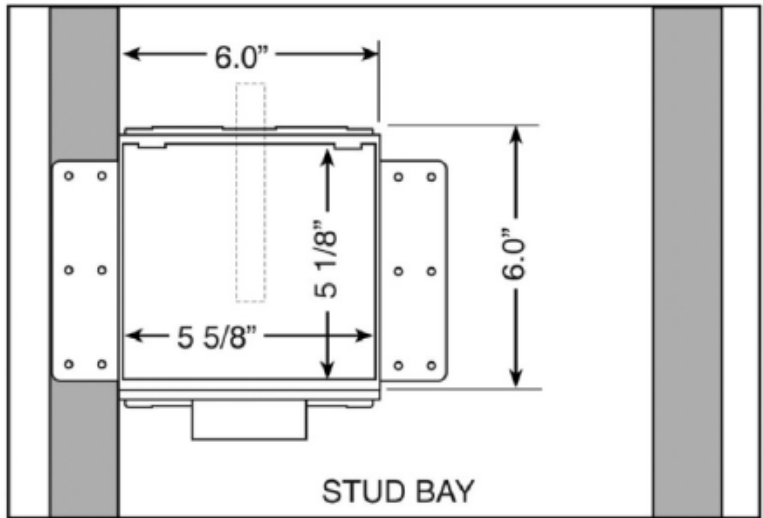
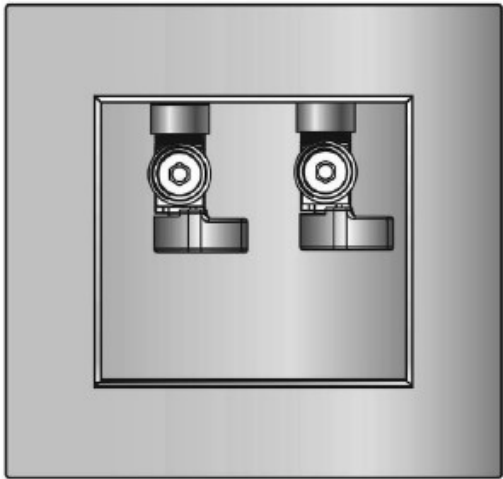




“FR-12” WMOB with Quarter Turn Valves



SPECIFICATION

Furnish and install fire rated recessed washing machine outlet box. Unit shall have brass quarter-turn ball valves as noted below. Unit shall be Guy Gray product code checked below as manufactured by IPS Corporation.

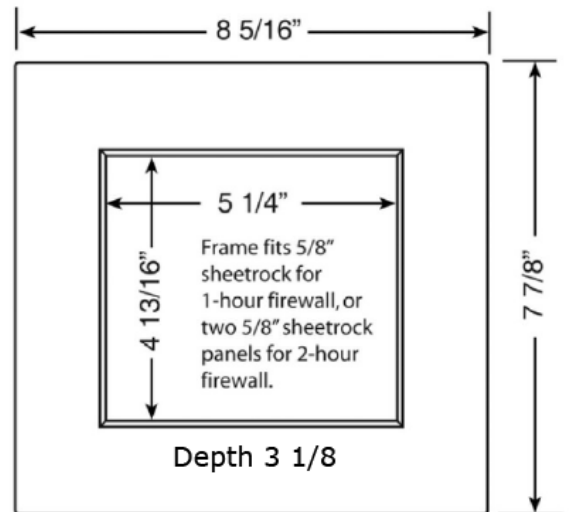
BOX MATERIAL

PVC Resin & Intumescent Pad attached

DRAIN & VALVE OPTIONS

Domestic Valve with 1/2" MIP/Sweat, CPVC, PEX, Wirsbo, or REHAU EVERLOC+™ connection furnished.

Valves comply with ASME A112.18.1.



Product Code #	Product Description	Model Number	Units/ Case
82355	Qtr Turn Valves, 1/2" Sweat Conx.	FR12S	5
82357	Qtr Turn Valves, 1/2" CPVC Conx.	FR12C	5
82359	Qtr Turn Valves, 1/2" PEX Conx.	FR12P	5
82361	Qtr Turn Valves, 1/2" Wirsbo Conx.	FR12W	5
CONTRACTOR PACKS			
82356	Qtr Turn Valves, 1/2" Sweat Conx.	FR12SCP	10
82358	Qtr Turn Valves, 1/2" CPVC Conx.	FR12CCP	10
82360	Qtr Turn Valves, 1/2" PEX Conx.	FR12PCP	10
82362	Qtr Turn Valves, 1/2" Wirsbo Conx.	FR12WCP	10
83370	Qtr Turn Valves, 1/2" REHAU EVERLOC+™ Conx.	FR12RCP	10

