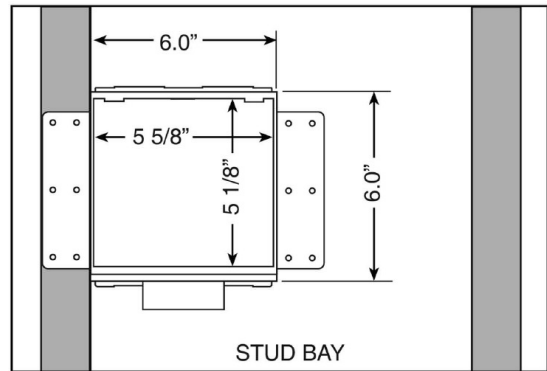
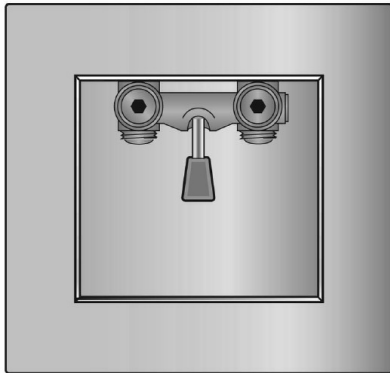


SPECIFICATION SUBMITTAL SHEET



"FR-12" WMOB with Single Lever Valve



Specifications:

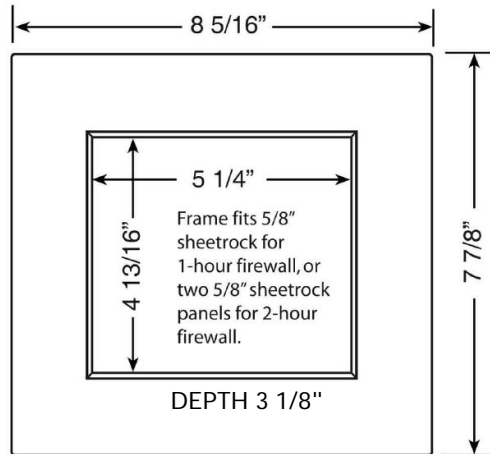
Furnish and install recessed fire rate washing machine outlet box. Washing machine outlet box shall have a single lever valve. Unit shall be Guy Gray product code checked below as manufactured by IPS Corporation.

Box Material:

PVC Resin & Intumescent Pad attached

Valve & Drain Options:

Single Lever Valve with 1/2" MIP/Sweat, CPVC, PEX or Wirsbo connection furnished. Valves comply with ASME A112.18.1.



Item #	Product Description	Model #	Quantity
82363	Single Lever Valve, 1/2" Sweat Connection	FR12SS	5
82364	Single Lever Valve, 1/2" Sweat Connection, Contractor Pack	FR12SSCP	10
82365	Single Lever Valve, 1/2" CPVC Connection	FR12CS	5
82366	Single Lever Valve, 1/2" CPVC Connection, Contractor Pack	FR12CSCP	10
82367	Single Lever Valve, 1/2" Pex Connection	FR12PS	5
82368	Single Lever Valve, 1/2" Pex Connection, Contractor Pack	FR12PSCP	10
82369	Single Lever Valve, 1/2" Wirsbo® ProPEX® Connection	FR12WS	5
82370	Single Lever Valve, 1/2" Wirsbo® ProPEX® Connection, Contractor Pack	FR12WSCP	10

