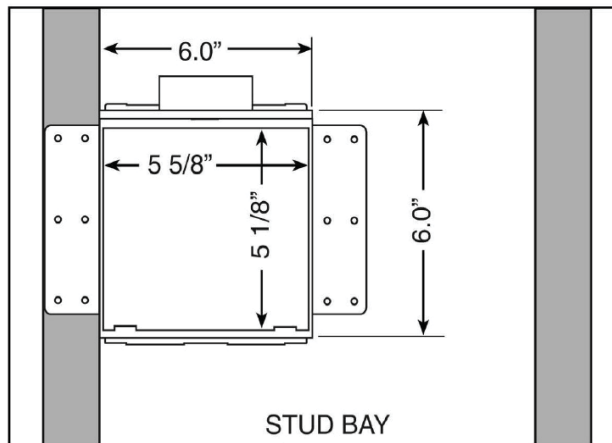
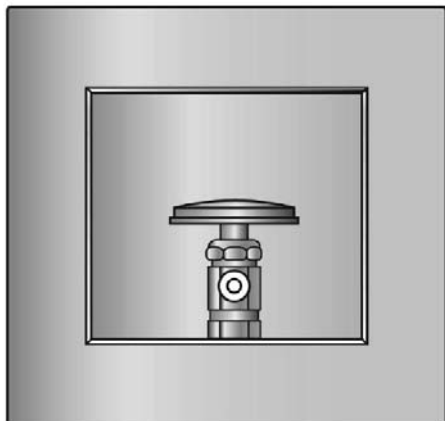


# SPECIFICATION SUBMITTAL SHEET



## “FR-12” FIRE RATED ICE MAKER OUTLET BOX with Lead Free Domestic Valve



**Specifications:**

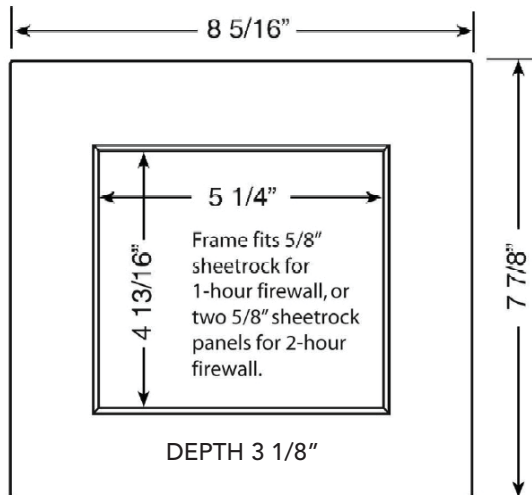
Furnish and install fire rated recessed Guy Gray ice maker outlet box. Unit shall have a lead free domestic valve. Unit shall be Guy Gray product code checked below as manufactured by IPS Corporation.

**Box Material:**

PVC Resin & Intumescent Pad attached

**Valve & Drain Options:**

Lead free Qtr Turn Valve with 1/2” MIP/Sweat, CPVC or Pex connection. Valve complies with ASME A112.18.1.



Item #	Product Description	Model #	Quantity
82389	Domestic Valve, 1/2” Sweat Connection	FRIB12DSAB	5

