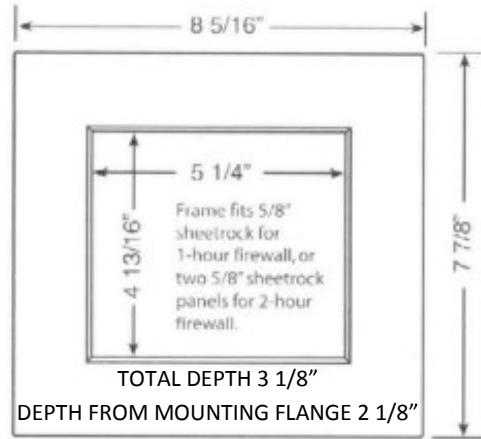
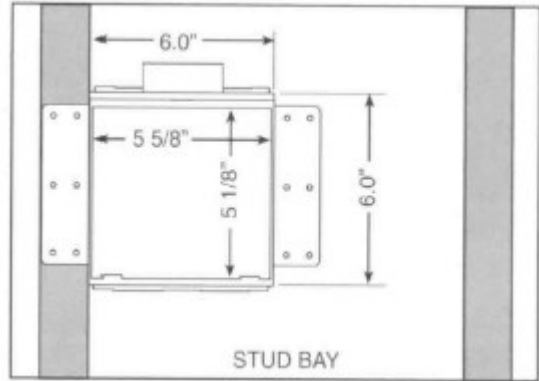
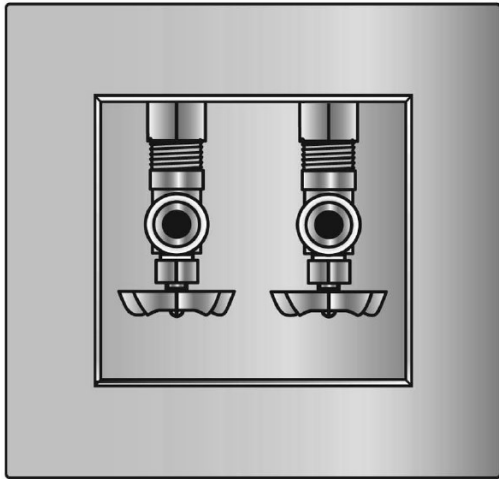




**“FR-12” Fire Rated Washing Machine Outlet Box**  
With Domestic Valves



**Specification:**

Furnish and install recessed washing machine outlet box. Washing machine outlet box shall have domestic valves. Unit shall be Guy Gray product code checked below with the appropriate valve connection as manufactured by IPS Corporation in Collierville, TN.

**Box Material:**

PVC Resin & Intumescent Pad attached

Product Code #	Product Description	Model Number	Units/Case
82383	Domestic Valve, 1/2" Sweat Connection	FR12DS	5
82384	Domestic Valve, 1/2" CPVC Connection	FR12DSCP	10



[www.ipscorp.com](http://www.ipscorp.com)    [watertite@ipscorp.com](mailto:watertite@ipscorp.com)

500 Distribution Parkway, Collierville, TN 38017, USA    ■ TEL: 901-853-5001    ■ WATS: 800-888-8312    ■ FAX: 901-853-5008