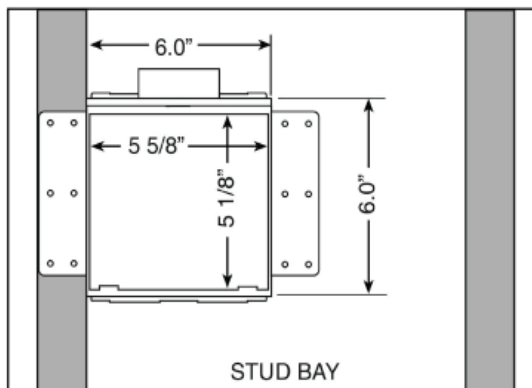
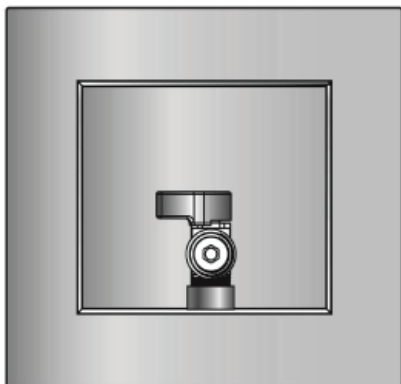


SPECIFICATION SUBMITTAL SHEET



“FR-12” FIRE RATED ICE MAKER OUTLET BOX with Lead Free Quarter Turn Valve



Specifications:

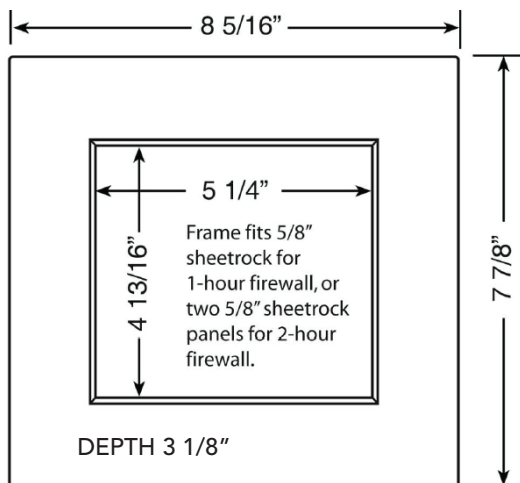
Furnish and install Guy Gray Fire rated recessed ice maker outlet box. Unit shall have a lead free brass plated quarter-turn ball valve. Unit shall be Guy Gray product code checked below as manufactured by IPS Corporation.

Box!Material:

PVC Resin with Intumescent Pad attached

Valve!&!Drain!Options:

Lead free Qtr Turn Valve with 1/2" MIP/Sweat, CPVC, Pex or Wirsbo connection. Valves comply with ASSE 1010 and NSF61-NSF/ANSI 372 and ASME A112.18.1.



Item #	Product Description	Model #	Quantity
	Complete Product Listing on Reverse Side		



Item #	Product Description	Model #	Quantity
82408	Lead Free Qtr Turn Valve, 1/2" Sweat Connection	FRIB12ABS	5
82409	Lead Free Qtr Turn Valve, 1/2" Sweat Connection, Contractor Pack	FRIB12ABSCP	10
82411	Lead Free Qtr Turn Valve, 1/2" CPVC Connection	FRIB12ABC	5
82412	Lead Free Qtr Turn Valve, 1/2" CPVC Connection, Contractor Pack	FRIB12ABCP	10
82413	Lead Free Qtr Turn Valve, 1/2" PEX® Connection	FRIB12ABP	5
82414	Lead Free Qtr Turn Valve, 1/2" PEX® Connection, Contractor Pack	FRIB12ABPCP	10
82415	Lead Free Qtr Turn Valve, 1/2" Wirsbo® Connection	FRIB12ABW	5
82416	Lead Free Qtr Turn Valve, 1/2" Wirsbo® Connection, Contractor Pack	FRIB12ABWCP	10