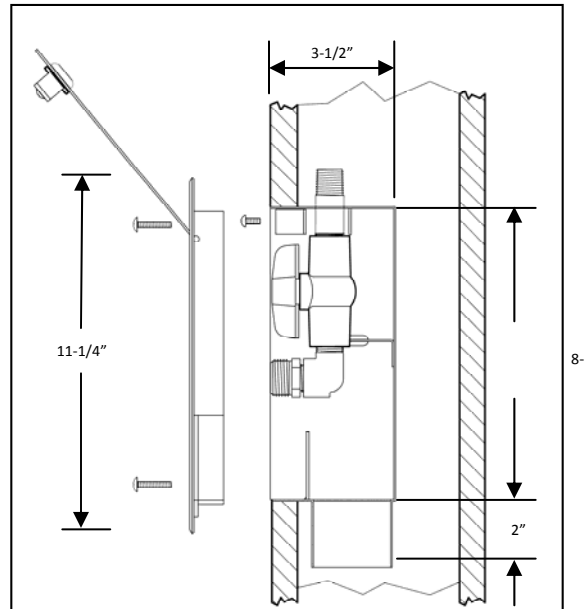
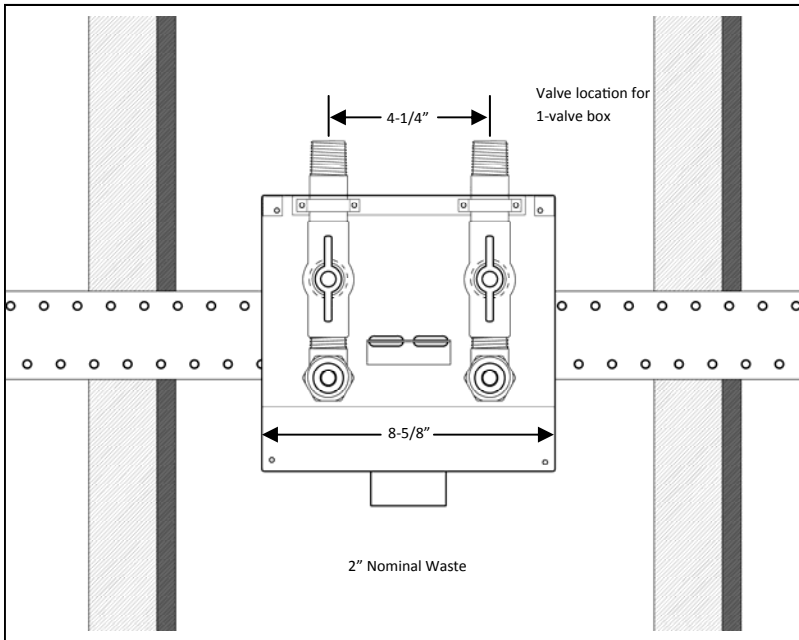


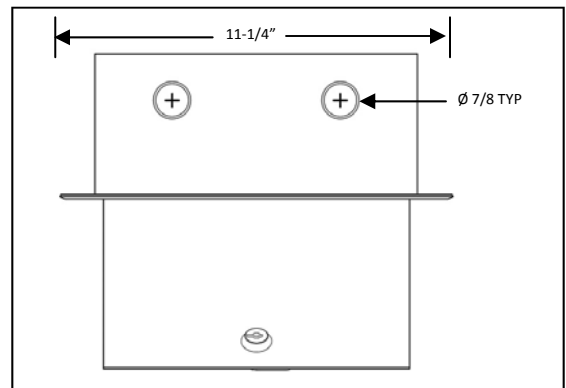
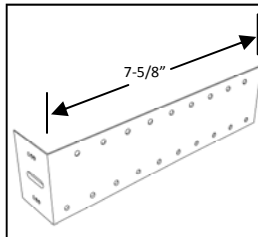
SPECIFICATION SUBMITTAL SHEET



Dialysis Supply and Waste Box



Note: For boxes containing only 1-valve, left hand side valve & supply hole are omitted.



Specification:

Furnish and install the Guy Gray Dialysis Box made of 16 GA 316 stainless steel. Available with Stainless Steel valves or PVC valves. Unit shall be Guy Gray product code checked below as manufactured by IPS Corporation. PVC valves comply with ASTM F1970-05 and are NSF listed.

Product #	Product Description	Model #	UPC
Stainless Steel Valves			
82688	One Valve, Less Door	DBSS1SV	012181-826881
82689	One Valve, Locking Door	DBSS1DSV	012181-826898
82690	Two Valves, Less Door	DBSS2SV	012181-826904
82691	Two valves, Locking Door	DBSS2DSV	012181-826911
PVC Valves			
82643	One valve, Less Door	DBSS1	012181-826430
82644	One valve, Locking Door	DBSS1D	012181-826447
82645	Two valves, Less Door	DBSS2	012181-826454
82646	Two valves, Locking Door	DBSS2D	012181-826461
Box without Valves			
82647	One Hole, No Valves, Locking Door	DBSS1DLV	012181-826478
82648	Two Holes, No Valves, Locking Door	DBSS2DLV	012181-826485



Installation instructions are available at www.ipscorp.com

500 Distribution Parkway, Collierville, TN 38017 | 800-888-8312 | Fax: 901-853-5008 | www.ipscorp.com | watertite@ipscorp.com