



CHEM-VENT



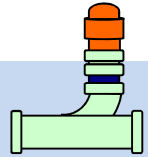
IPS
CORPORATION

500 Distribution
Parkway
Collierville, TN 38017
www.ipscorp.com
1-800-888-8312
Fax: 1-901-853-5008



CHEM-VENT

Manufactured specifically for Chemical Waste systems



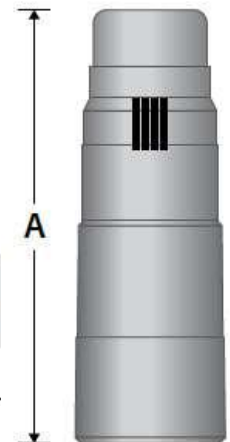
For Commercial use

- NSF14, ASSE1049 Performance Requirements for Individual and Branch Type Air Admittance Valves for Chemical Waste Systems
- Manufactured from flame-retardant polypropylene conforming to ASTM D-4101
- Will vent up to 6 DFUs
- Exclusive vermin protection system
- Limited lifetime warranty
- Temperature Rating -40° F to +212° F (-40° C to +100° C)

DFU

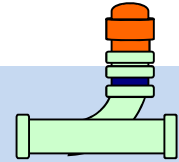
Horizontal Branch	Minimum Vent Pipe Size	Maximum DFUs on Branch
1-1/2"	1-1/4" - 1-1/2"	3
2"	1-1/4" - 2"	6

Height A	Nominal Pipe Size
5-3/4"	1-1/2" DWV Pipe



CHEM-VENT

Simplify venting of 'island sink' chemical basins



Mechanical Joint application

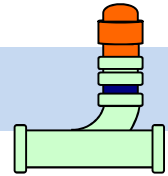


Electrofusion application



CHEM-VENT

Material - Flame Retardant Polypropylene (FR-PP)



- The material of choice in Acid Waste for the last 20 years
- Excellent resistance to chemicals and solvents
- Capable of handling exothermic reactions
- Durable & easy to install
- Designed and tested to temperatures of -40° to 212° F

Product: Chem-Vent®

Material of Construction: Flame-Retardant Polypropylene
Seal: Silicone seal on glass filled nylon stem

Mechanical

Property	Typical Data	Unit	Method
Tensile Modulus, 2.0 in/mm	4,400	PSI	ASTM D 638
Flexural Modulus	215,000	PSI	ASTM D 790
Hardness, Rockwell R	100	--	ASTM D 1706

Impact

Property	Typical Data	Unit	Method
Izod Impact, Notched	1.0	Ft-Lb/In	ASTM D 256

Physical

Property	Typical Data	Unit	Method
Specific Gravity, Solid	0.94	--	ASTM D 1505
Water Absorption 24 Hours	0.01	%	ASTM D 570

Thermal

Property	Typical Data	Unit	Method
Coefficient of Linear Expansion	6 x 10 ⁻⁵	In/In/F	ASTM D 696
Heat Deflection - Temp. @ 66 PSI Load	220 - 240	F	ASTM D 648
Heat Deflection - Temp. @ 264 PSI Load	195	F	ASTM D 648

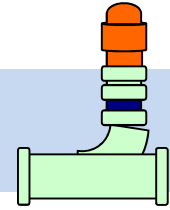
Flame Characteristics

Property	Typical Data	Unit	Method
Time of Burning	< 5	Sec	ASTM D 635
Extent of Burning	< 5	mm	--
Burning Class	V2	--	UL 94
Maximum Smoke Density	62.0	--	ASTM D 2843
Smoke Density Rating	40.1	--	--
Oxygen Index	28	%	ASTM D 2863

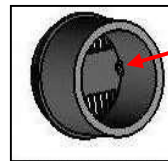


CHEM-VENT

Design Features



- Purposely designed for Acid Waste systems installation
- Direct mount on any molded FR-PP sanitary Tee
- Usable with either Mechanical Joint or Electrofusion FR-PP fittings
- Easily adaptable to CPVC, glass, PVDF or Duriron® systems



Patented Studor screen keeps 'business end' of the valve clean



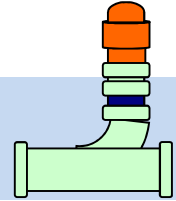
Minimum of 4" above the top of horizontal pipe being served

Extended tailpiece assures the 4" minimum requirement



CHEM-VENT

Connecting to the System - FR-PP & PP systems



CHEM-VENT™ will directly mount to molded sanitary Tees manufactured by:
IPEX-GF/SLOANE-ORION-ZURN

Electrofusion

- Preparation, assembly, clamping and machine programming shall strictly follow the fitting manufacturer instructions for a single (or multiple if other fittings are simultaneously welded) 1 1/2" pipe to fitting weld.

Mechanical Joints

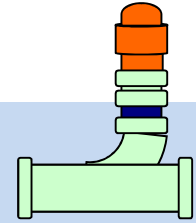
- Preparation (e.g. grooving) and assembly shall strictly follow the fitting manufacturer instructions for an 1 1/2" MJ pipe to fitting connection.

No special equipment other than what supplied by the fitting manufacturer is required.



CHEM-VENT

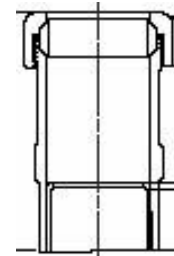
Connecting to the System - CPVC systems



CHEM-VENT™ can be easily installed on molded sanitary Tees manufactured by:
SPEARS – CHARLOTTE PIPE

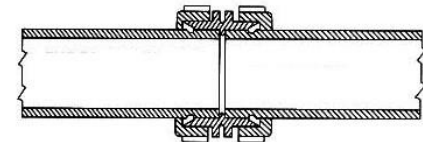
SPEARS (LabWaste™)

- Using the special PP pipe adapter offered by this manufacturer.



CHARLOTTE (ChemDrain™)

- Solvent/cementing a small CPVC pup piece into the side socket of the Tee and then connecting that spigot to the valve's tail piece with a no-hub coupling or special MJ adapter.

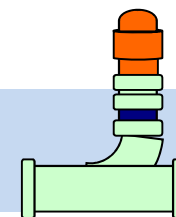


CHEM-VENT™ will meet or exceed operational temperature & chem. resistance parameters of CPVC systems



CHEM-VENT

Connecting to the System - **GLASS** systems



CHEM-VENT™ can be easily installed on borosilicate glass sanitary Tee manufactured by:

Schott or ChemFlowtronics

All that is needed to install The CHEM-VENT™ on a Kimax™ (Schott) or Borodrain™ (ChemFlowtronics) Tee is a glass/PP adapter offered by all FR-PP acid waste system manufacturers.

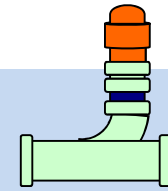
Although the CHEM-VENT™ will easily meet most operational temperature & chem. resistance parameters of applications using glass, this may not always be the case.

Studor should be consulted before a CHEM-VENT™ is installed on a glass system.

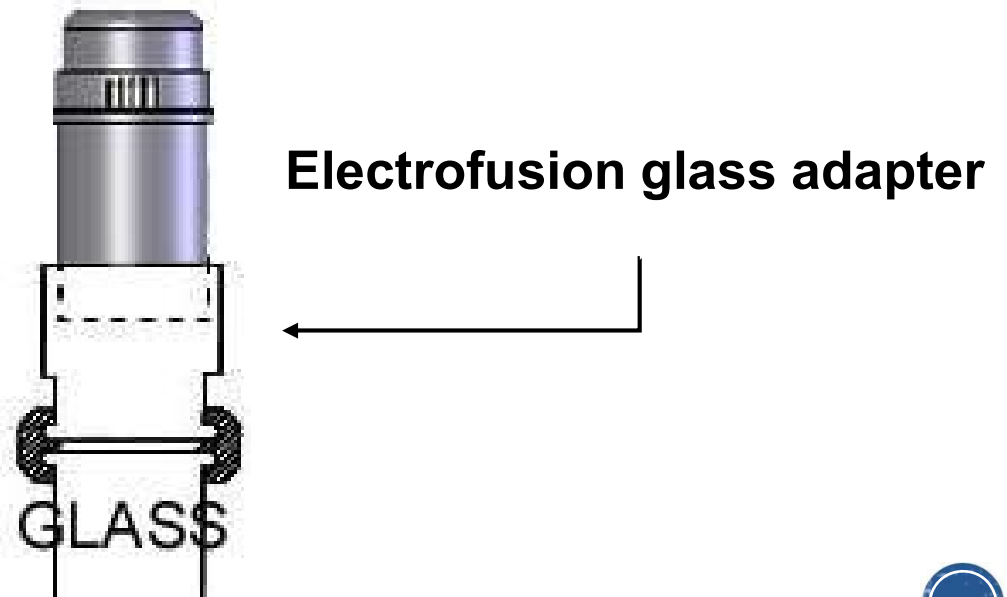
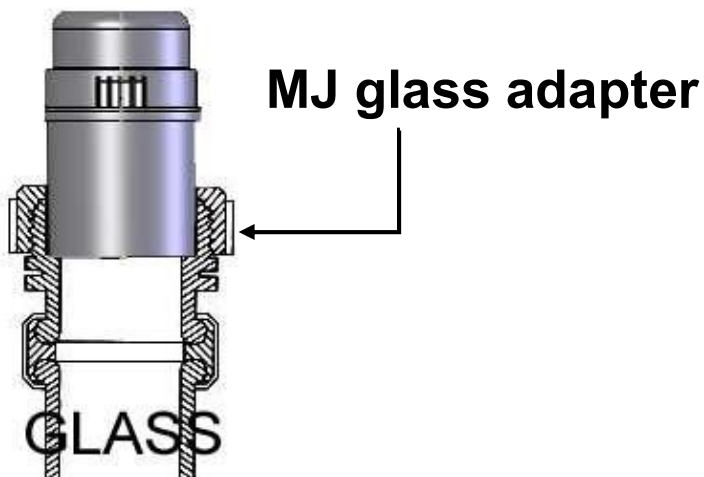


CHEM-VENT

Connecting to the System - **GLASS** systems

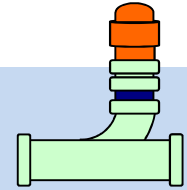


The **CHEM-VENT™** can be easily installed on borosilicate glass systems



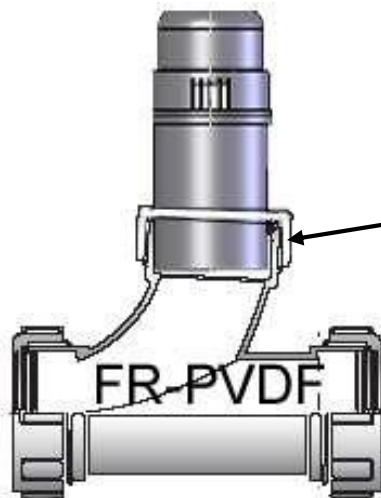
CHEM-VENT

Connecting to the System - FR-PVDF systems



The CHEM-VENT™ will directly mount to molded MJ sanitary Tees manufactured by:
IPEX-GF/SLOANE-ORION-ZURN

Although the CHEM-VENT™ will easily meet most operational temperature & chem. resistance parameters of applications using FR-PVDF, this may not always be the case. Studor should be consulted before a CHEM-VENT™ is installed on a FR- PVDF system.

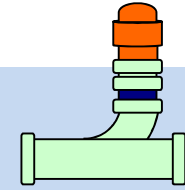


MJ FR-PVDF Sanitary Tee



CHEM-VENT

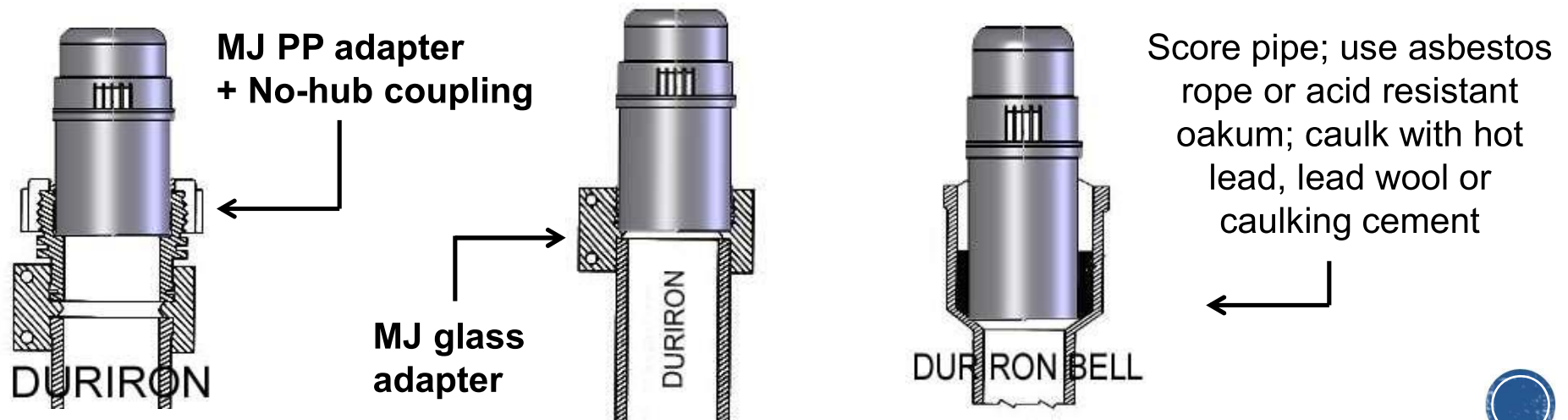
Connecting to the System - DURIRON systems



The CHEM-VENT™ can be easily installed on silicon/iron cast alloy systems

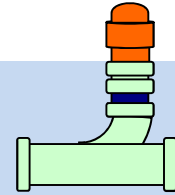
All that is needed to install The CHEM-VENT™ T on a Duriron MJ or bell & spigot Tee is one of two adapters commercially available either through Duriron itself or all FR-PP acid waste system manufacturers.

The CHEM-VENT™ will meet or exceed operational requirements (especially chem. resistance) of most systems using Duriron pipe & fittings.



CHEM-VENT

Selection Parameters



The use of the CHEM-VENT® is:

Recommended:

In Chemical Waste systems when: FR-PP, PP, CPVC or DURIRON pipe & fittings are installed

Conditionally recommended:

In Chemical Waste systems when: Glass or FR- PVDF pipe & fittings are installed If FR-PP is deemed resistant to the chemical waste in a glass system, the Chem-Vent™ can be used on glass systems unless the system is installed in a return air plenum.

Not recommended:

In Plenum rated areas or on systems which couldn't be otherwise vented to open air without the use of filtration in order to retain organic or inorganic compounds which, if inhaled in the concentrations and proportions found inside the piping system, would be harmful to humans or animals.

The CHEM-VENT™ cannot be used in Plenum Designated Areas

