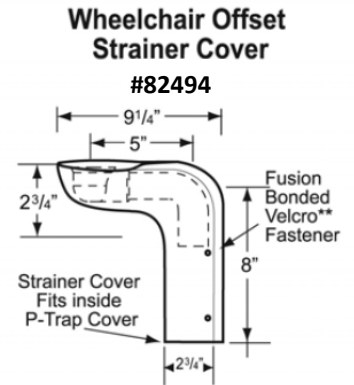
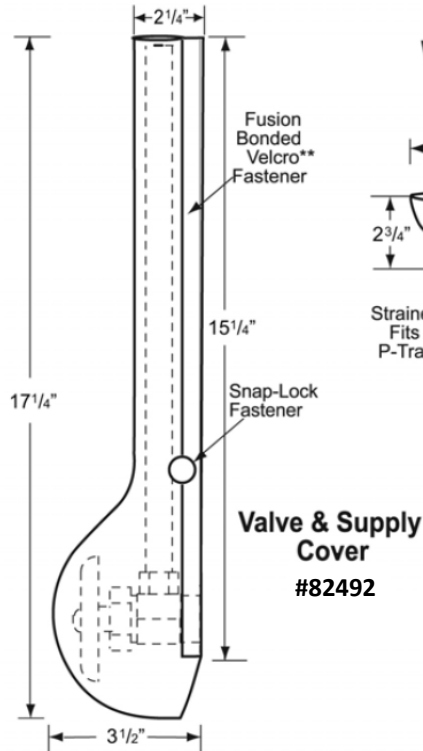
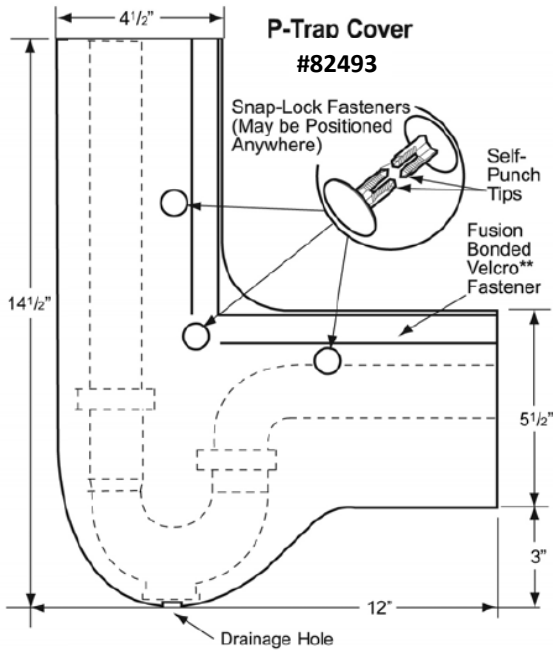




Soft Guard Plus™—Black



**SPECIFICATION**

Install 1/8" pliable PVC Shell finish Soft Guard Plus on all drainage piping including hot and cold water valve and supplies under lavatories to comply with ADA, IBC, and UPC standards. Covers shall be secured by joining internal hook and loop fastening system. Furnished custom fit snap-to-lock fasteners may be used for improved tamper resistance.

**COMPLIANCE & TESTING STANDARDS:**

- Complies with ADA 4.19.4
- Complies with ASME A112.18.9
- IAPMO (UPC) Listed
- Complies with ICC/ANSI A117.1 section 606.6
- PVC material tested and complies to ASTM E-84 25 Flame Spread/450 Smoke Index

Product #	Description
82492	Supply and Valve cover - Black
82493	P-Trap cover only - Black
82494	Offset cover only - Black
82495	P-Trap/1 valve - Black
82496	P-Trap/2 valve covers - Black



www.ipscorp.com watertite@ipscorp.com

500 Distribution Parkway, Collierville, TN 38017, USA ■ TEL: 901-853-5001 ■ WATS: 800-888-8312 ■ FAX: 901-853-5008

