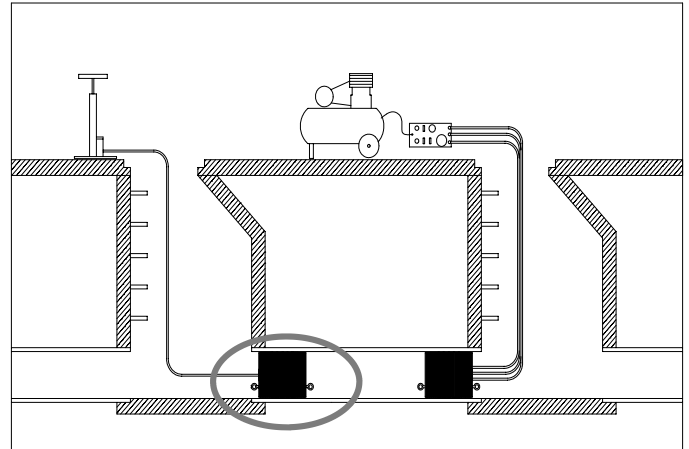




Multi-Size Pneumatic Back Air Test Plugs



Specifications:

The Pneumatic Back Air Test Plug is designed for the testing of pipelines or to temporarily stop the flow. It can be used individually as a test plug or along with a Front Air Test Plug for testing. Each plug is designed for two or more pipe sizes. These plugs are suitable for many different pipe materials. Manufactured from a durable natural rubber compound these plugs are flexible yet rugged. Each size comes with eyebolts at each end for connecting directly to another Air Test Plug or to fasten a rope or inflation/lift line.

Nominal Size	Product Code	Plug Use Range		Plug Diameter (inches)	Plug Length (inches)	Overall Plug Length (inches)	Bypass Size (inches)	Inflation Pressure	Maximum Back Pressure		Shipping Weight
		Minimum Pipe Diameter (inches)	Maximum Pipe Diameter (inches)						Water Head (feet)	Air (psig)	
4-8"	83948	3.75	8.25	3.50	12.00	15.00	None	30	40	17	3.3
8-12"	83962	7.09	12.25	6.75	15.75	17.50	None	30	40	17	8.2
12-18"	83968	11.02	18.25	10.50	23.00	27.00	None	30	40	17	21.0
12-24"	83974	11.95	24.25	11.50	29.00	34.00	None	21	12	5	32.0
15-30"	83975	14.00	30.25	13.70	55.00	55.00	None	20	18.0	8	49.0
20-36"	83976	19.00	36.25	18.50	64.00	64.00	None	20	18.0	8	89.0
24-48"	83978	22.00	48.25	21.50	84.00	84.00	None	15	18.0	8	102.0
36-60"	83979	34.50	60.25	29.50	84.00	84.00	None	10	13.8	6	160.0
48-72"	83981	46.00	72.25	43.50	84.00	84.00	None	10	13.8	6	350.0
60-96"	83982	58.00	96.25	56.00	110.00	110.00	None	10	13.8	6	575.0



500 Distribution Parkway, Collierville, TN 38017 ▪ Phone: 800-888-8312 ▪ Fax: 901-853-5008 ▪ www.ipscorp.com