

FRM12 Fire Resistant Ice Box

Ratings: ASTM-E814 - 1 Hour (F), 1 Hour (T)
 CAN/ULC - S115 1 Hour (F/FH), 1 Hour (FT/FTH)
 ASTM-E814 - 2 Hour (F), 72 Min (T)
 Firestop Device, Design No. IPS/PV 120-02

Models 82415 to 82444, 82462 to 82470

1. Wall Construction

- Wood Or Steel Stud
- 1 Hour firewall construction consisting of each stud face being finished with 5/8 gypsum
- 2 Hour firewall construction consisting of each stud face being finished with 2 layers of 5/8 gypsum

2. Box Mounting

- Box should be fastened to stud with screws or nails
- Boxes in opposing walls are to be in separate stud cavities

3. Piping Options

- Supply tubing may be metallic or plastic

4. Valve Options

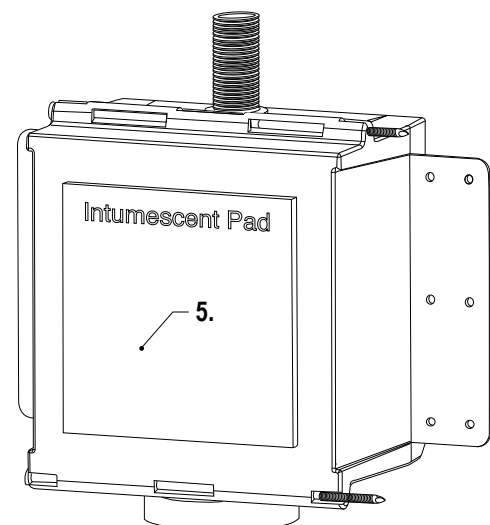
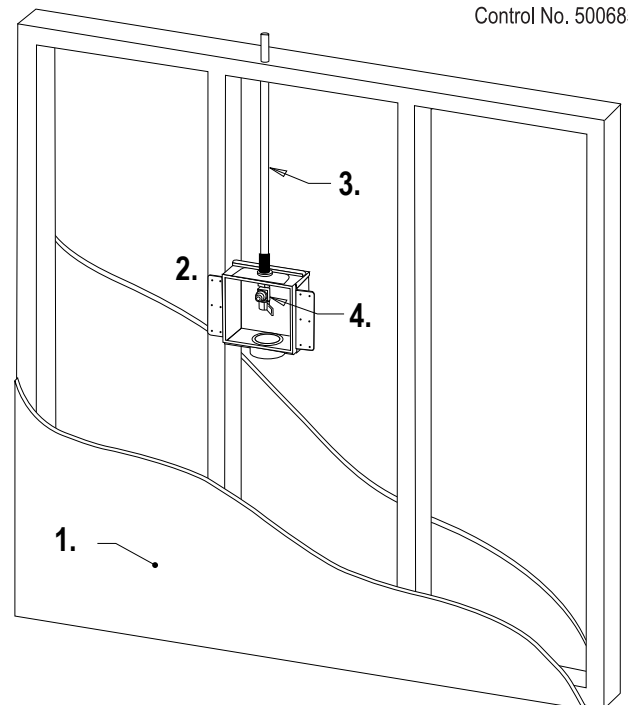
- Individual Shutoffs with or without hammer arresters

5. Intumescent Pad

- The IPS FR12 Series Ice box is manufactured from special flame resistant resin with an intumescent pad factory installed on the back of the box.
- Excessive gaps between the box and the gypsum may be filled up to 1/2" with dry wall plaster. Gaps over 1/2" must be sealed with silicone firestop sealant applied to the depth of the gypsum.



Intertek
 Control No. 5006851



IPS
 CORPORATION

500 Distribution Parkway, Collierville, TN 38017 ▪ Phone: 800-888-8312 ▪ Fax: 901-853-5008 ▪ www.ipscorp.com