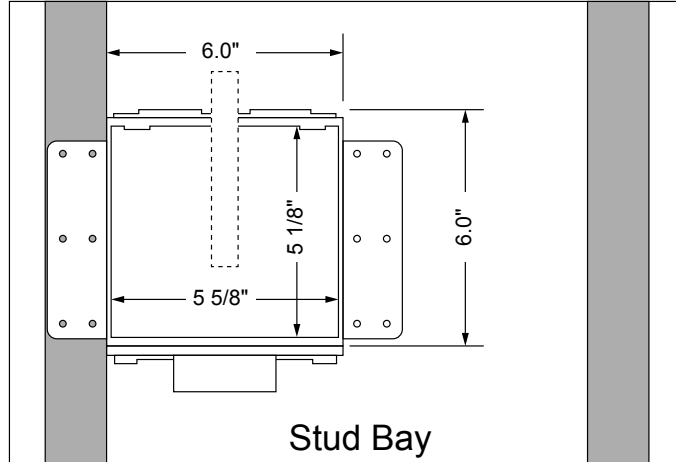
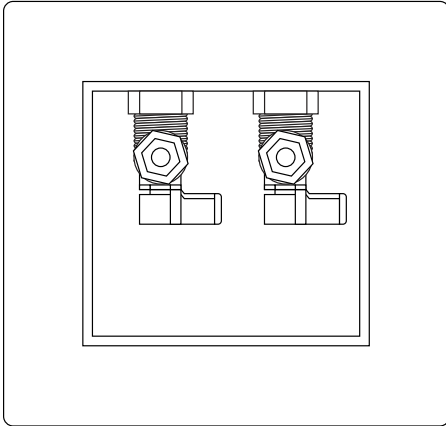




**"FR-12" Plastic WMOB  
with Quarter Turn Valves**



**Specifications:**

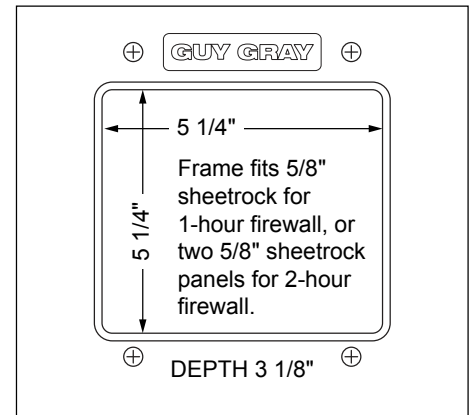
Furnish and install fire rated recessed washing machine outlet box. Unit shall have brass quarter-turn ball valves as noted below. Unit shall be Guy Gray product code checked below as manufactured by IPS Corporation.

**Box Material:**

PVC Resin & Intumescent Pad attached

**Valve & Drain Option:**

Domestic Valve with 1/2" MIP/Sweat, CPVC, PEX, Wirsbo, or REHAU EVERLOC+™ connection furnished. Valves comply with ASME A112.18.1.



Item #	Product Description	Model #	Quantity
82355	Qtr Turn Valves, 1/2" Sweat Conx.	FR12S	5
82357	Qtr Turn Valves, 1/2" CPVC Conx.	FR12C	5
82359	Qtr Turn Valves, 1/2" Pex Conx.	FR12P	5
82361	Qtr Turn Valves, 1/2" Wirsbo Conx.	FR12W	5
<b>CONTRACTOR PACKS</b>			
82356	Qtr Turn Valves, 1/2" Sweat Conx.	FR12SCP	10
82358	Qtr Turn Valves, 1/2" CPVC Conx.	FR12CCP	10
82360	Qtr Turn Valves, 1/2" Pex Conx.	FR12PCP	10
82362	Qtr Turn Valves, 1/2" Wirsbo Conx.	FR12WCP	10
83370	Qtr Turn Valves, 1/2" REHAU EVERLOC+™ Conx.	FR12RCP	10



500 Distribution Parkway, Collierville, TN 38017 ▪ Phone: 800-888-8312 ▪ Fax: 901-853-5008 ▪ www.ipscorp.com