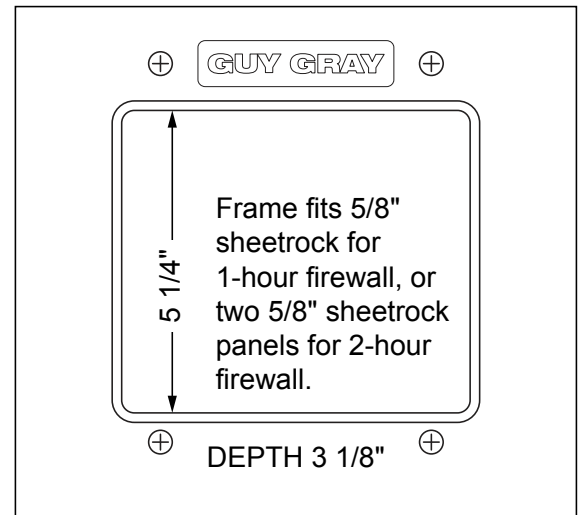
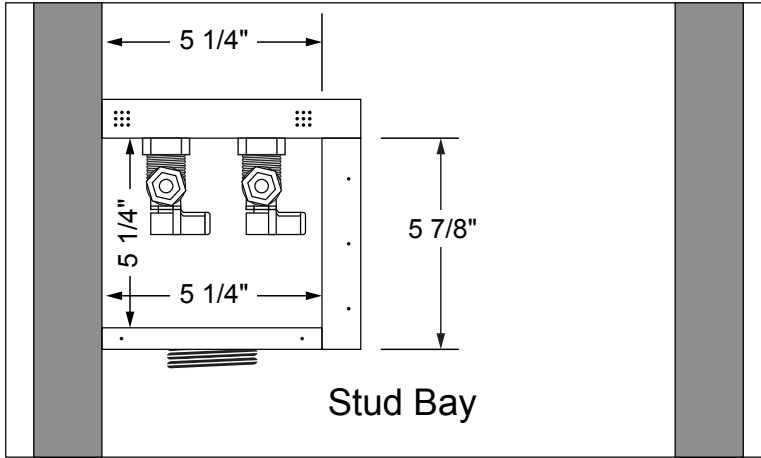




**"FR-12" WMOB  
with Quarter Turn Valves**



**Specifications:**

Furnish and install recessed fire rated washing machine outlet box. Unit shall have top mounted quarter-turn ball valves. Unit shall be Guy Gray product code checked below as manufactured by IPS Corporation.

**Box Material:**

White Powder Coat on Cold Rolled Steel Finish & UL Listed Intumescent Pad

**Valve & Drain Option:**

Qtr Turn Valve kit with 1/2" MIP/Sweat, CPVC, PEX or Wirsbo connection. Kit includes valves, locknuts and o-rings. Valves comply with ASME A112.18.1.

Item #	Product Description	Model #	Quantity
82567	Qtr Turn Valve, 1/2" Sweat Connection	FRM12S	5
82569	Qtr Turn Valve, 1/2" CPVC Connection	FRM12C	5
82571	Qtr Turn Valve, 1/2" PEX® Connection	FRM12P	5
82573	Qtr Turn Valve, 1/2" Wirsbo® Connection	FRM12W	5



500 Distribution Parkway, Collierville, TN 38017 ▪ Phone: 800-888-8312 ▪ Fax: 901-853-5008 ▪ www.ipscorp.com