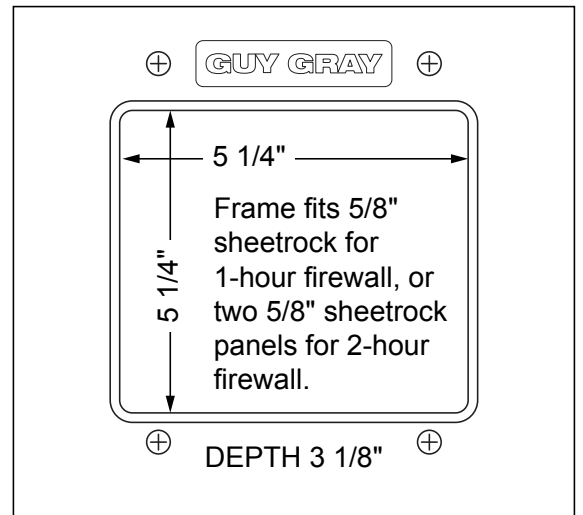
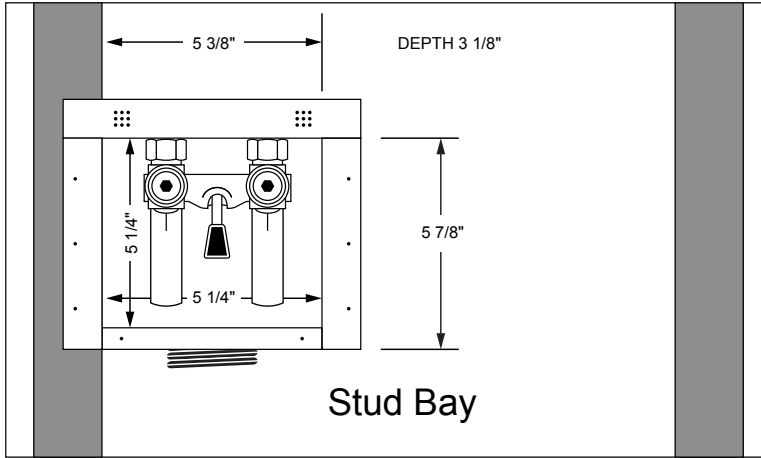




**"FR-12" WMOB**  
with Single Lever Valve with Hammer Arresters



**Specifications:**

Furnish and install fire rated recessed washing machine outlet box. Unit shall have top mounted single lever valve with integral hammer arresters. Unit shall be Guy Gray product code checked below as manufactured by IPS Corporation.

**Box Material:**

White Powder Coat on Cold Rolled Steel Finish & UL Listed Intumescent Pad

**Valve & Drain Option:**

Single Lever Arrester Valves with 1/2" Sweat or PEX connection. Valves comply with ASME A112.18.1. Hammer arresters comply with ASSE 1010.

Item #	Product Description	Model #	Quantity
82591	Single Lever Arrester Valves, 1/2" Sweat Connection	FRM12SSHA	5
82593	Single Lever Arrester Valves, 1/2" PEX Connection	FRM12PSHA	5



500 Distribution Parkway, Collierville, TN 38017 ▪ Phone: 800-888-8312 ▪ Fax: 901-853-5008 ▪ www.ipscorp.com