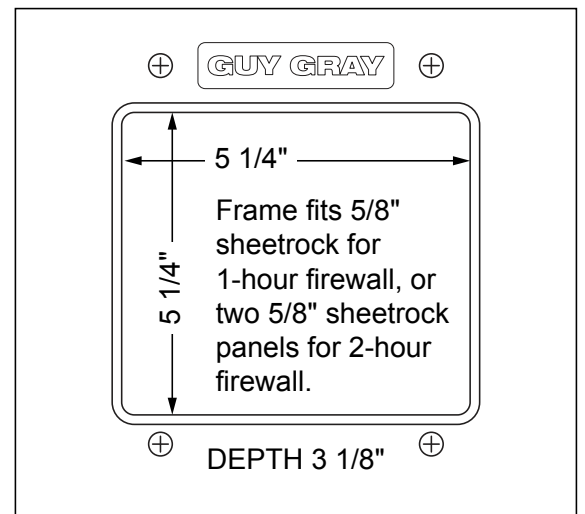
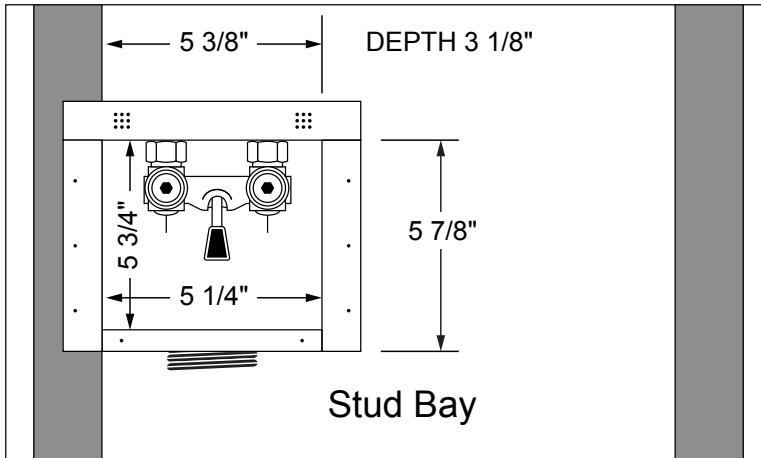




**"FR-12" WMOB  
with Single Lever Valve**



**Specifications:**

Furnish and install recessed fire rated washing machine outlet box. Unit shall have top mounted quarter-turn ball valves. Unit shall be Guy Gray product code checked below as manufactured by IPS Corporation.

**Box Material:**

White Powder Coat on Cold Rolled Steel Finish & UL Listed Intumescent Pad

**Valve & Drain Option:**

Single Lever Valve kit with 1/2" MIP/Sweat, CPVC, PEX or Wirsbo connection furnished. Kit includes valves, locknuts and o-rings. Valves comply with ASME A112.18.1.

| Item # | Product Description                         | Model # | Quantity |
|--------|---|---------|----------|
| 82575  | Single Lever Valve, 1/2" Sweat Connection   | FRM12SS | 5        |
| 82577  | Single Lever Valve, 1/2" CPVC Connection    | FRM12CS | 5        |
| 82579  | Single Lever Valve, 1/2" PEX® Connection    | FRM12PS | 5        |
| 82581  | Single Lever Valve, 1/2" Wirsbo® Connection | FRM12WS | 5        |



500 Distribution Parkway, Collierville, TN 38017 ▪ Phone: 800-888-8312 ▪ Fax: 901-853-5008 ▪ www.ipscorp.com