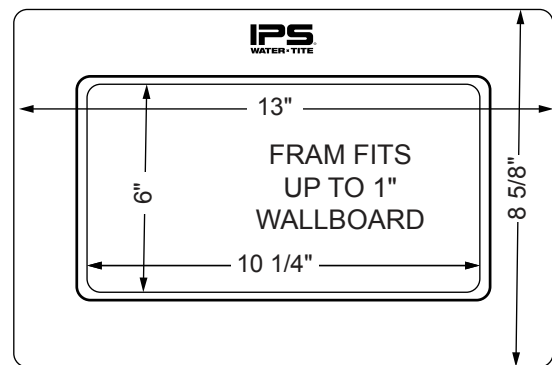
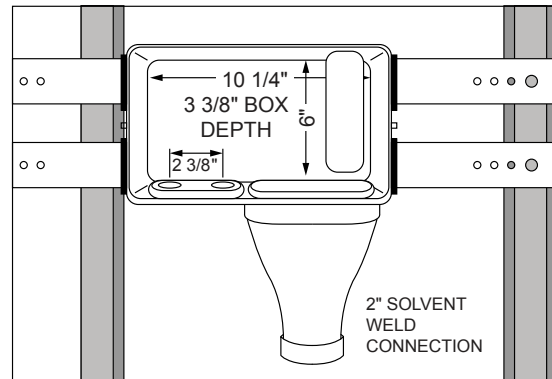
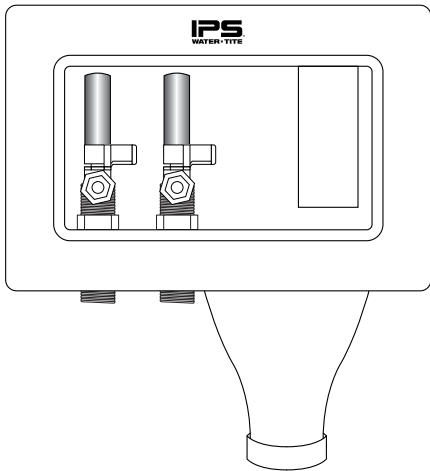




## Wide Mouth WMOB, Right Hand Drain with Quarter Turn Arrester Valves



**Specifications:**

Furnish and install wide mouth washing machine outlet box with right hand drain option with integral hammer arrester quarter turn valves as noted below. Unit shall be Water-Tite product code as manufactured by IPS Corporation. Valves comply with ASME A112.18.1. Hammer arresters comply with ASSE 1010.

**Certifications:**

Box   
 Valves

Product Code #	Model #	Product Description	Units/Case
87404	W8902HA	Brass Qtr-turn Arrester Valves, Installed, 1/2" F1807 Conx.	10
<b>Contractor Pack</b>			
87390	W8900HACP	Brass Qtr-turn Arrester Valves, Installed, 1/2" Sweat Conx	10
87407	W8901HACP	Brass Qtr-turn Arrester Valves, Installed, 1/2" CPVC Conx	10
87401	W8911HACP	Brass Qtr-turn Arrester Valves, Installed, F1960 Conx	10
82774	W8905HACP	Brass Qtr-turn Arrester Valves, Installed, REHAU EVERLOC+TM Conx.	10