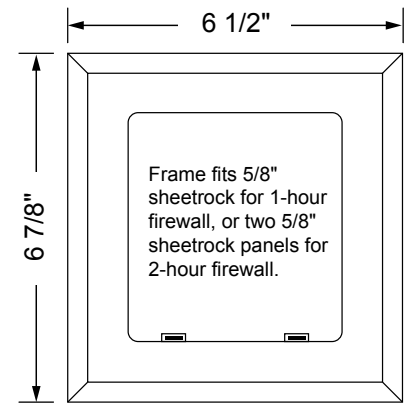
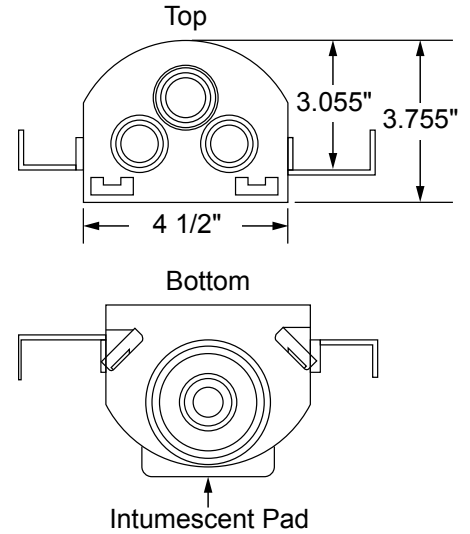
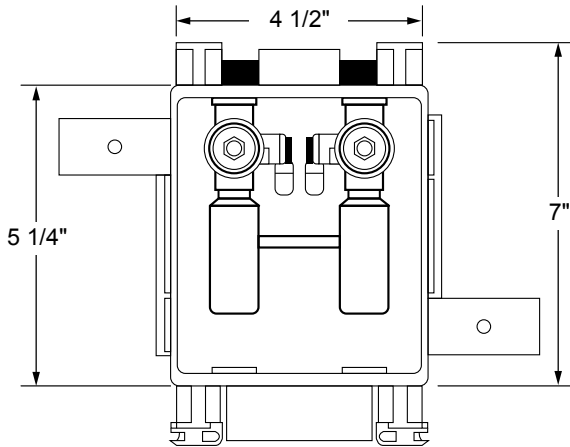




FR MultiBox™ Washing Machine Outlet Box System with Quarter Turn Valves and Hammer Arresters



Specifications:

Furnish and install fire-rated MultiBox Single Washing Machine Outlet Box. Unit shall be Water-Tite product code checked below, as manufactured by IPS Corporation.

Box/Frame Material:

PVC & Intumescent Pad attached

Valves:

Qtr. Turn Arrester Valves with Sweat, CPVC, PEX, Wirsbo or REHAU EVERLOC+™ connection as checked below. Valves comply with ASME A112.18.1/CSA B125.1-05. Arresters comply with ASSE 1010.

Available Accessories:

3 Universal Faceplates: Open, Solid and Louvered Stabilizer Bar

Certifications: Box

Boxes have been certified with the following ratings: ASTM E814, 1 Hr (F), 41 Min (T) and 2 Hr (F), 101 Min (T)
CAN/ULC-S115-1 Hr (F/FH), 41 Min (FT/FTH) and 2 Hr (F/FH), 101 Min (FT/FTH)



Intertek
Control No. 5007032

Valves



Item #	Product Description	Model #	Quantity
83044	FR WMOB, Qtr-turn Arrester Valves, 1/2" Sweat Conx.	MBFRS1200HA	10
83045	FR WMOB, Qtr-turn Arrester Valves, 1/2" CPVC Conx.	MBFRS1201HA	10
83046	FR WMOB, Qtr-turn Arrester Valves, 1/2" PEX Conx.	MBFRS1202HA	10
83047	FR WMOB, Qtr-turn Arrester Valves, 1/2" Wirsbo Conx.	MBFRS1211HA	10
83328	FR WMOB, Qtr-turn Arrester Valves, 1/2" REHAU EVERLOC+™ Conx.	MBFRS1205HA	10
Contractor Pack			
83048	FR WMOB, Qtr-turn Arrester Valves, 1/2" Sweat Conx.	MBFRS1200HACP	10
83049	FR WMOB, Qtr-turn Arrester Valves, 1/2" CPVC Conx.	MBFRS1201HACP	10
83050	FR WMOB, Qtr-turn Arrester Valves, 1/2" PEX Conx.	MBFRS1202HACP	10
83051	FR WMOB, Qtr-turn Arrester Valves, 1/2" Wirsbo Conx.	MBFRS1211HACP	10
83329	FR WMOB, Qtr-turn Arrester Valves, 1/2" REHAU EVERLOC+™ Conx.	MBFRS1205HACP	10