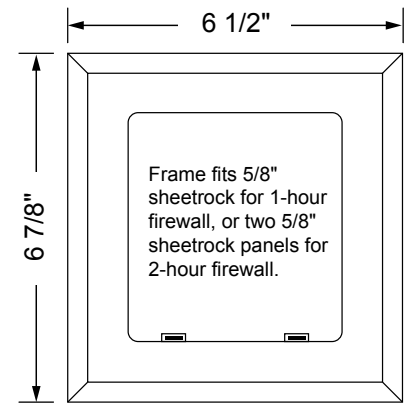
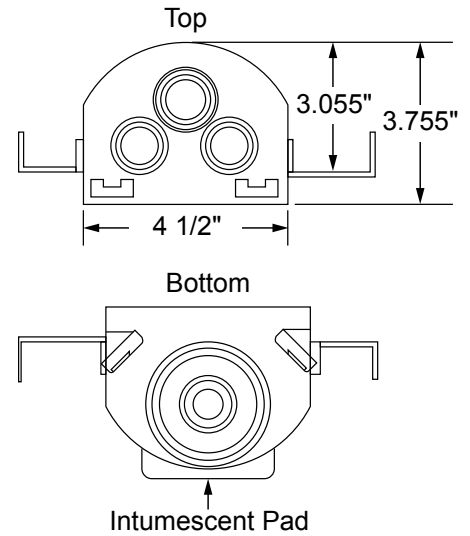
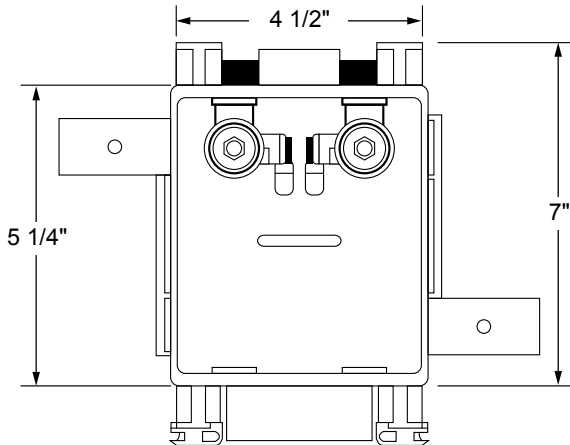




# FR MultiBox™ Washing Machine Outlet Box System with Quarter Turn Valves



**Specifications:**

Furnish and install fire-rated MultiBox Single Washing Machine Outlet Box. Unit shall be Water-Tite product code checked below, as manufactured by IPS Corporation.

**Box/Frame Material:**

PVC & Intumescent Pad attached

**Valves:**

Qtr. Turn Valves with Sweat, CPVC, PEX, Wirsbo or REHAU EVERLOC+ connection as checked below. Valves comply with ASME A112.18.1/CSA B125.1-05.

**Available Accessories:**

3 Universal Faceplates: Open, Solid and Louvered Stabilizer Bar

**Certifications:**

**Box**

Boxes have been certified with the following ratings: ASTM E814, 1 Hr (F), 41 Min (T) and 2 Hr (F), 101 Min (T)  
CAN/ULC-S115-1 Hr (F/FH), 41 Min (FT/FTH) and 2 Hr (F/FH), 101 Min (FT/FTH)



**Intertek**  
Control No. 5007032

**Valves**



Item #	Product Description	Model #	Quantity
83036	FR WMOB, Qtr-turn Valves, 1/2" Sweat Conx.	MBFRS1200	10
83037	FR WMOB, Qtr-turn Valves, 1/2" CPVC Conx.	MBFRS1201	10
83038	FR WMOB, Qtr-turn Valves, 1/2" PEX Conx.	MBFRS1202	10
83039	FR WMOB, Qtr-turn Valves, 1/2" Wirsbo Conx.	MBFRS1211	10
83026	FR WMOB, Qtr-turn Valves, 1/2" REHAU EVERLOC+™ Conx.	MBFRS1205	10
<b>Contractor Pack</b>			
83040	FR WMOB, Qtr-turn Valves, 1/2" Sweat Conx.	MBFRS1200CP	10
83041	FR WMOB, Qtr-turn Valves, 1/2" CPVC Conx.	MBFRS1201CP	10
83042	FR WMOB, Qtr-turn Valves, 1/2" PEX Conx.	MBFRS1202CP	10
83043	FR WMOB, Qtr-turn Valves, 1/2" Wirsbo Conx.	MBFRS1211CP	10
83327	FR WMOB, Qtr-turn Valves, 1/2" REHAU EVERLOC+™ Conx.	MBFRS1205CP	10



500 Distribution Parkway, Collierville, TN 38017 ▪ Phone: 800-888-8312 ▪ Fax: 901-853-5008 ▪ www.ipscorp.com