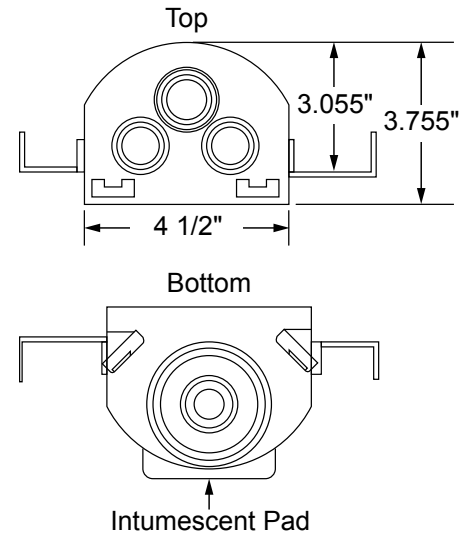
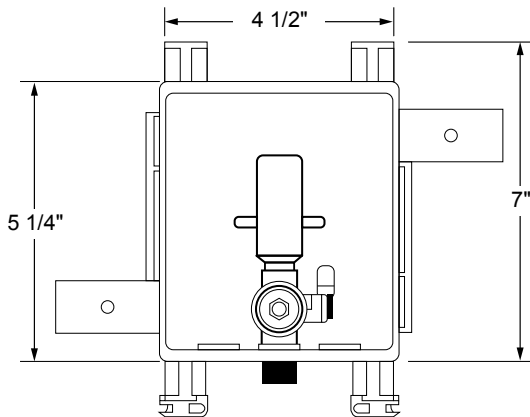




# FR MultiBox™ Ice Maker Outlet Box System with Quarter Turn Arrester Valve

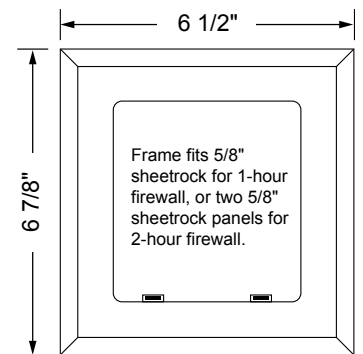


**Specifications:** Furnish and install fire-rated MultiBox Ice Maker Outlet Box. Unit shall be Water-Tite product code checked below, as manufactured by IPS Corporation.

**Box Material:** PVC & Intumescent Pad attached

**Valve:** Lead free Qtr. Turn Arrester Valve with Sweat, CPVC, PEX, Wirsbo or REHAU EVERLOC+™ connection as checked below. Valve complies with ASME A112.18.1/CSA B125.1-05, NSF61-NSF/ANSI 372, and meets California No Lead Plumbing Law. Arrester complies with ASSE 1010.

**Available Accessories:** 3 Universal Faceplates: Open, Solid and Louvered; Stabilizer Bar

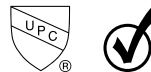


**Certifications:  
Box**

Boxes have been certified with the following ratings: ASTM E814, 1 Hr (F), 41 Min (T) and 2 Hr (F), 101 Min (T) CAN/ULC-S115-1 Hr (F/FH), 41 Min (FT/FTH) and 2 Hr (F/



**Valves**



Item #	Model #	Product Description	Quantity
83077	MBFRAB1200HA	FR IMOB, Qtr-turn Arrester Valve, 1/2" Sweat Conx.	10
83078	MBFRAB1201HA	FR IMOB, Qtr-turn Arrester Valve, 1/2" CPVC Conx.	10
83079	MBFRAB1202HA	FR IMOB, Qtr-turn Arrester Valve, 1/2" PEX Conx.	10
83080	MBFRAB1211HA	FR IMOB, Qtr-turn Arrester Valve, 1/2" Wirsbo Conx.	10
83340	MBFRAB1205HA	FR IMOB, Qtr-turn Arrester Valve, 1/2" REHAU EVERLOC+™ Conx.	10
<b>Contractor Packs</b>			
83081	MBFRAB1200HACP	FR IMOB, Qtr-turn Arrester Valve, 1/2" Sweat Conx., CP	10
83082	MBFRAB1201HACP	FR IMOB, Qtr-turn Arrester Valve, 1/2" CPVC Conx., CP	10
83083	MBFRAB1202HACP	FRIMOB, Qtr-turn Arrester Valve, 1/2" PEX Conx., CP	10
83084	MBFRAB1211HACP	FR IMOB, Qtr-turn Arrester Valve, 1/2" Wirsbo Conx., CP	10
83341	MBFRAB1205HACP	FR IMOB, Qtr-turn Arrester Valve, 1/2" REHAU EVERLOC+™ Conx.	10