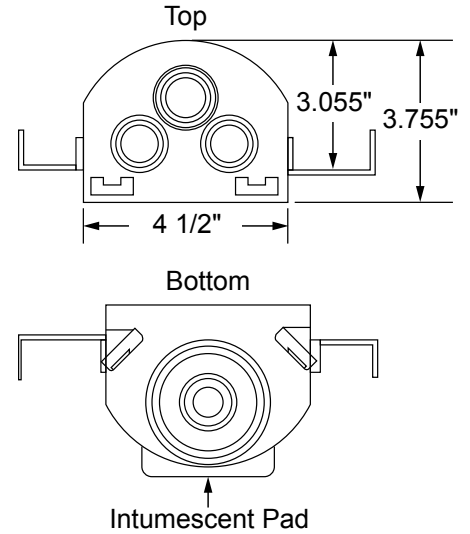
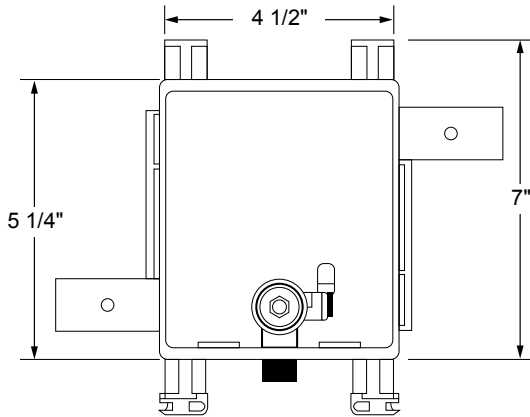




FR MultiBox™ Ice Maker Outlet Box System with Quarter Turn Valve



Specifications: Furnish and install fire-rated MultiBox Ice Maker Outlet Box. Unit shall be Water-Tite product code checked below, as manufactured by IPS Corporation.

Box Material: PVC & Intumescent Pad attached

Valve: Lead free Qtr. Turn Valve with Sweat, CPVC, PEX, Wirsbo or REHAU EVERLOC+™ connection as checked below. Valve complies with ASME A112.18.1/CSA B125.1-05, NSF61-NSF/ANSI 372, and meets California No Lead Plumbing Law.

Available Accessories: 3 Universal Faceplates: Open, Solid and Louvered; Stabilizer Bar

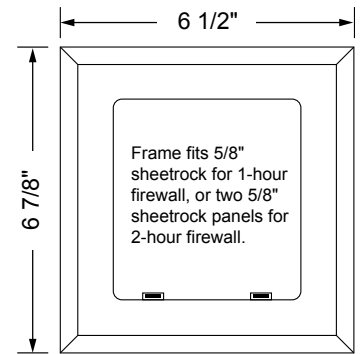
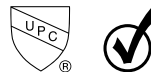
Certifications:

Box

Boxes have been certified with the following ratings: ASTM E814, 1 Hr (F), 41 Min (T) and 2 Hr (F), 101 Min (T)
CAN/ULC-S115-1 Hr (F/FH), 41 Min (FT/FTH) and 2 Hr (F/FH), 101 Min (FT/FTH)



Valves



Item #	Model #	Product Description	Quantity
83069	MBFRAB1200	FR IMOB, Qtr-turn Valve, 1/2" Sweat Connection	10
83070	MBFRAB1201	FR IMOB, Qtr-turn Valve, 1/2" CPVC Connection	10
83071	MBFRAB1202	FR IMOB, Qtr-turn Valve, 1/2" PEX Connection	10
83072	MBFRAB1211	FR IMOB, Qtr-turn Valve, 1/2" Wirsbo Connection	10
83338	MBFRAB1205	FR IMOB, Qtr-turn Valve, REHAU EVERLOC+™ Connection	10
Contractor Packs			
83073	MBFRAB1200CP	FR IMOB, Qtr-turn Valve, 1/2" Sweat Connection, CP	10
83074	MBFRAB1201CP	FR IMOB, Qtr-turn Valve, 1/2" CPVC Connection, CP	10
83075	MBFRAB1202CP	FRIMOB, Qtr-turn Valve, 1/2" PEX Connection, CP	10
83076	MBFRAB1211CP	FR IMOB, Qtr-turn Valve, 1/2" Wirsbo Connection, CP	10
83339	MBFRAB1205CP	FR IMOB, Qtr-turn Valve, REHAU EVERLOC+™ Connection	10