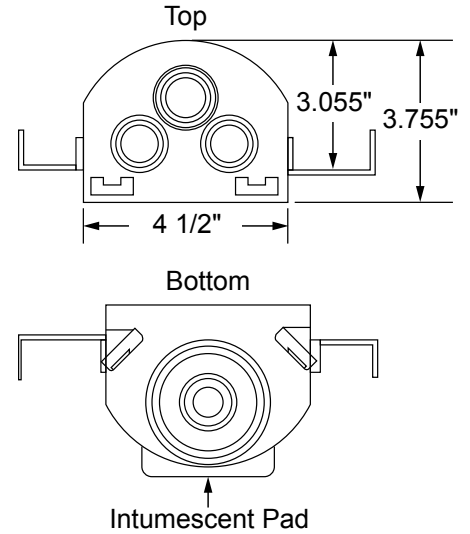
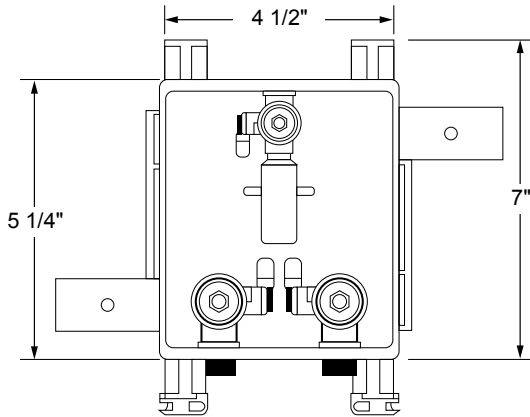




FR MultiBox™ Kitchen Box w/Quarter Turn Valves



Specifications: Furnish and install fire-rated MultiBox Kitchen Box, combination dishwasher/commercial ice & angle stop outlet box with extra deep faceplate for custom fit to cabinetry. Unit shall be Water-Tite product code checked below, as manufactured by IPS Corporation.

Box Material: PVC & Intumescent Pad attached

Valve: Lead free Qtr. Turn Valves with 3/8" Compression Outlet available for Sweat, CPVC, PEX or Wirsbo connection as checked below. Valves comply with ASME A112.18.1/CSA B125.1-05, NSF61-NSF/ANSI 372, and meets No Lead Plumbing Law. Arrester complies with ASSE 1010.

Available Accessories: 3 Universal Faceplates: Open, Solid and Louvered; Stabilizer Bar

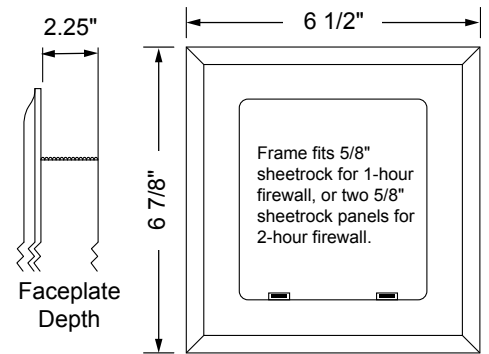
Certifications:

Box

Boxes have been certified with the following ratings: ASTM E814, 1 Hr (F), 41 Min (T) and 2 Hr (F), 101 Min (T)



Valves



Item #	Model #	Product Description	Quantity
83314	FRASDW1200HA	FR Combination AS & DW-HA 3/8" Sweat	10
83315	FRASDW1201HA	FR Combination AS & DW-HA 3/8" CPVC	10
83316	FRASDW1202HA	FR Combination AS & DW-HA 3/8" F1807	10
83317	FRASDW1211HA	FR Combination AS & DW-HA 3/8" F1960	10