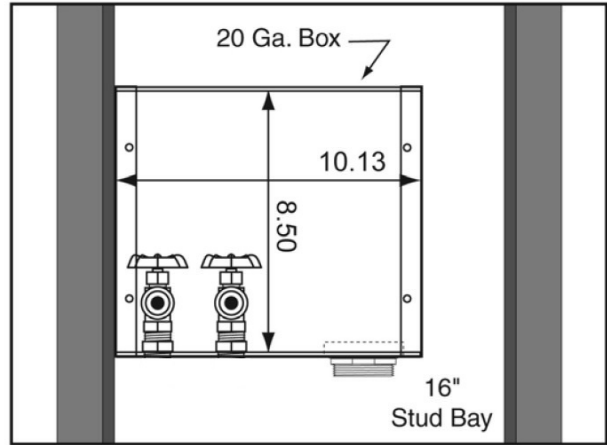
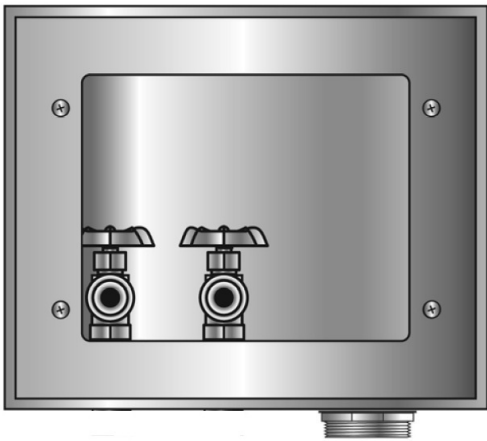


SPECIFICATION SUBMITTAL SHEET



RIGHT DRAIN GALVANIZED WMOB with Domestic Valves



Specifications:

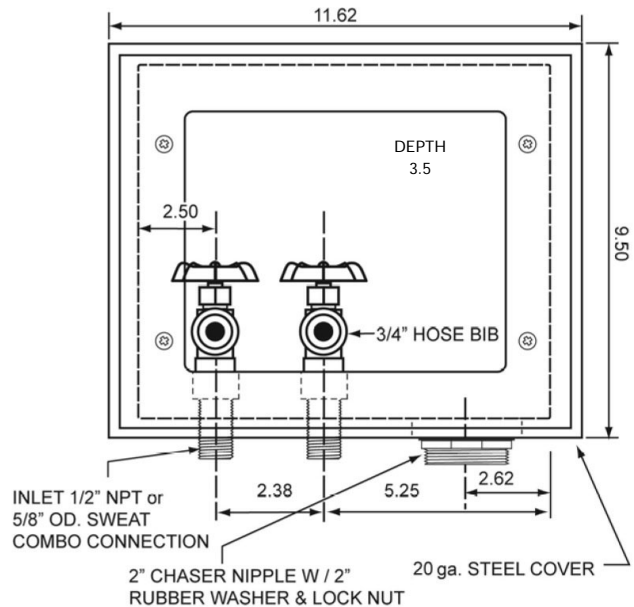
Furnish and install right drain galvanized washing machine outlet box with domestic valves. Unit shall be Guy Gray product code as manufactured by IPS Corporation.

Box Material:

G90 Hot Dipped Galvanized Steel (unpainted) 20 gauge box and 20 gauge faceplate

Valve & Drain Options:

Domestic Valve kit with 1/2" MIP/Sweat connection furnished. 1-1/2" or 2" Threaded Drain. Valves comply with ASME A112.18.1.



Item #	Product Description	Model #	Quantity
82030	1/2" MIP/Sweat Conx. Valve, 1-1/2" Threaded Drain Fitting	FB150	6
82039	1/2" MIP/Sweat Conx. Valve, 2" Threaded Drain Fitting	FB200	6
96997	Tamper resistant cover for Models B, BB, WB, FB, & BIM	BTRC	6

