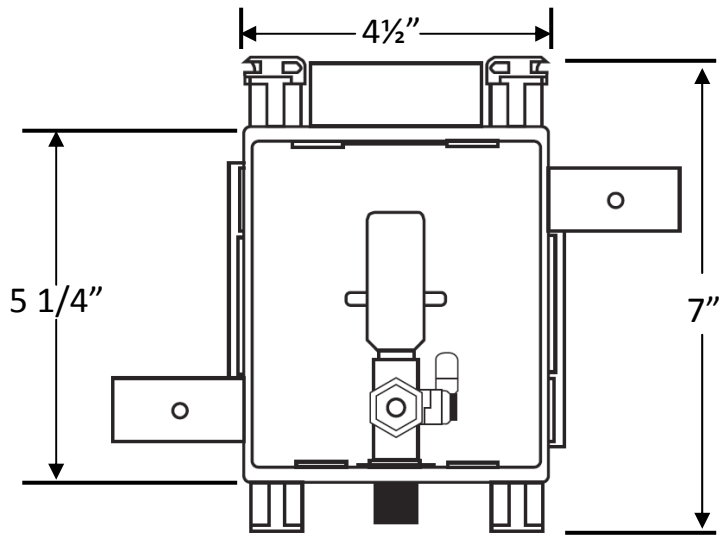
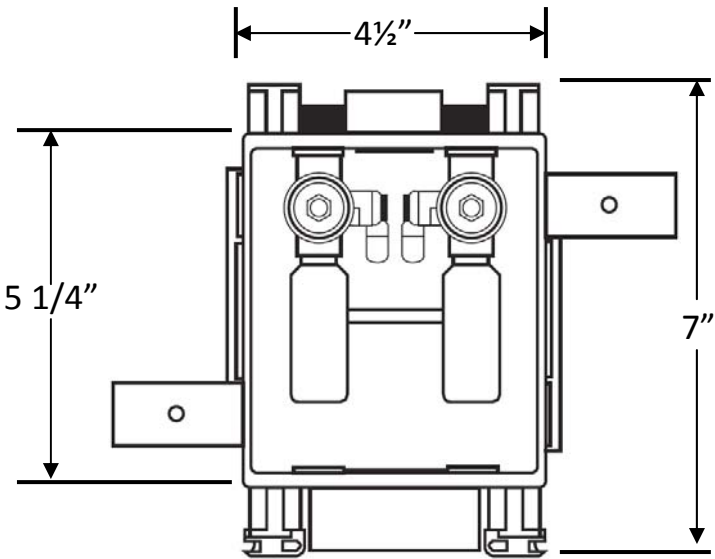




MultiBox™, House Pack
 Washing Machine & Ice Maker Outlet Box with Qtr. Turn Hammer Arrestor Valves



Specification:

Furnish and install single MultiBox Washing Machine Outlet Box and MultiBox Ice Maker Outlet Box. Units shall be Water-Tite product codes checked below, as manufactured by IPS Corporation.

Box/Frame Material:

Hi-Impact Resin

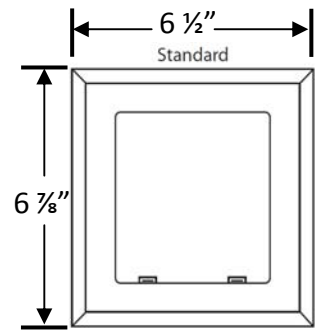
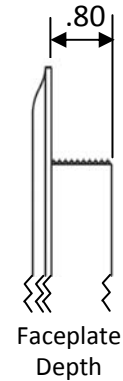
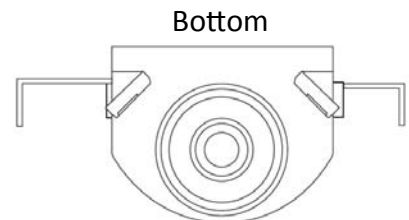
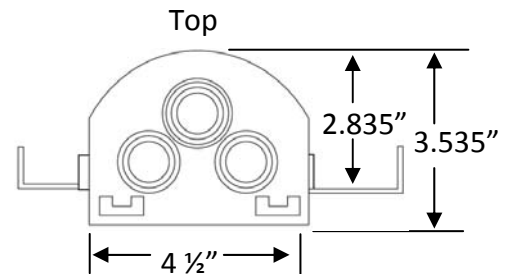
Valves:

Qtr. Turn Hammer Arrestor Valves with PEX or Wirsbo connection as checked below. Valves comply with ASME A112.18.1/CSA B125.1-05, NSF61-NSF/ANSI 372, and meets California No Lead Plumbing Law. Arresters comply with ASSE 1010.

Available Accessories:

3 Universal Faceplates: Open, Solid and Louvered
 Stabilizer Bar

Certifications:



✓ Product Code	Model #	Product Description	Units/Case
CONTRACTOR PACKS			
82969	MBSAB1202HACP	MB House Pack, WMOB & IMOB w/Qtr-turn Arrestor Valves, 1/2" PEX Conx.	10
82973	MBSAB1211HACP	MB House Pack, WMOB & IMOB w/Qtr-turn Arrestor Valves, 1/2" Wirsbo Conx.	10

