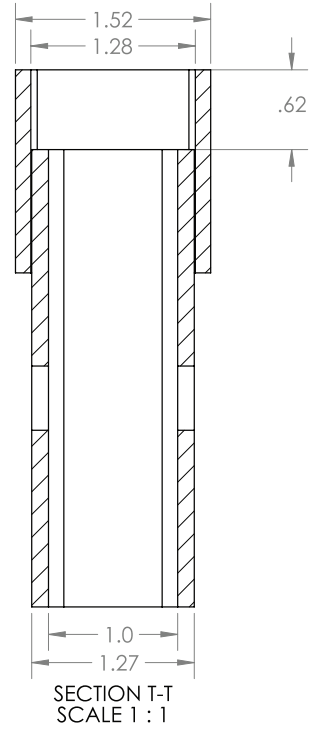
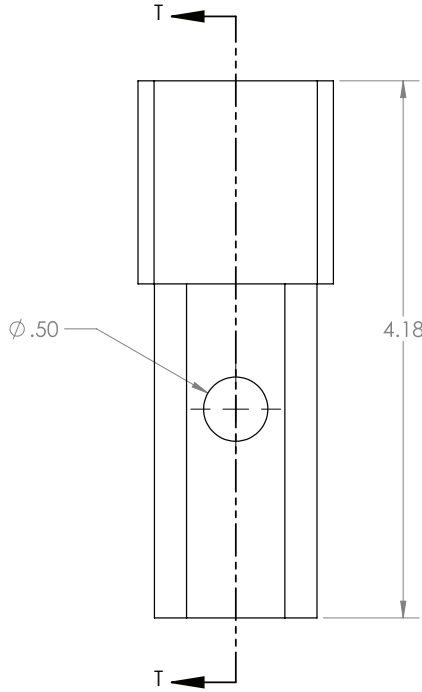




Two-Way Wrench for T-Cone Cleanout Test & Repair Plugs

Specifications:

- For tightening 1" through 6" combination cleanout test plugs and cleanout repair plugs with raised head
- For t-cone cleanout test and repair plugs
- Also fits 3" through 4" recessed drive plugs



PRODUCT	DESCRIPTION	MODEL	UNITS/ CASE
86545	T-Cone 2-Way Wrench	SM 106	1



500 Distribution Parkway, Collierville, TN 38017 ▪ Phone: 800-888-8312 ▪ Fax: 901-853-5008 ▪ www.ipscorp.com