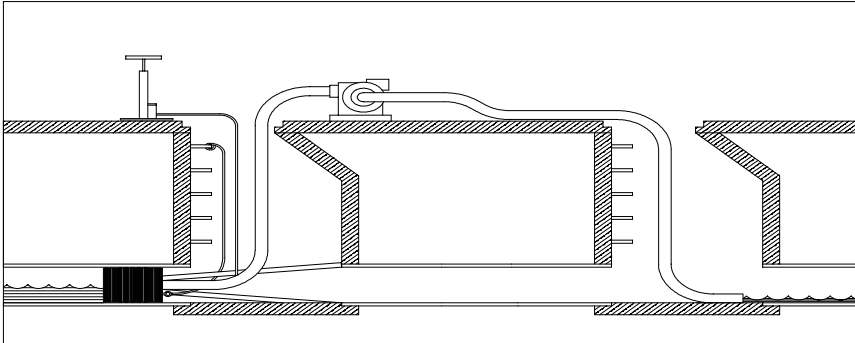




## Multi-Size Pneumatic Bypass Plugs



### Specifications:

The Multi-Size Pneumatic Bypass Plug is designed for the bypassing of water or sewage in pipelines or to temporarily stop the flow. It can also be adapted to use in air testing of sewer lines. Each plug is designed for two or more pipe sizes. These plugs can be used in a variety of applications and are suitable for many different pipe materials. Manufactured from a durable natural rubber compound these plugs are flexible yet rugged. Each plug comes with an eyebolt for connecting a rope or inflation/lift line and a 1/4" NPT replaceable inflation valve.

Nominal Size	Product Code	Plug Use Range		Plug Diameter (inches)	Plug Length (inches)	Overall Plug Length (inches)	Bypass Size (inches)	Inflation Pressure	Maximum Back Pressure		Shipping Weight
		Minimum Pipe Diameter (inches)	Maximum Pipe Diameter (inches)						Water Head (feet)	Air (psig)	
6-10"	83761	5.51	10.25	5.25	14.00	16.25	1 1/2	30	40	17	6.5
8-12"	83802	7.09	12.25	6.75	15.75	21.25	3	30	40	17	11.0
10-16"	83816	8.92	16.25	8.50	17.13	23.00	3	30	40	17	12.0
12-18"	83818	11.07	18.25	10.50	21.00	28.00	3	30	30	13	23.5
12-24"	83824	11.95	24.25	11.50	28.75	34.00	4	30	12	5	32.6



500 Distribution Parkway, Collierville, TN 38017 ▪ Phone: 800-888-8312 ▪ Fax: 901-853-5008 ▪ www.ipscorp.com