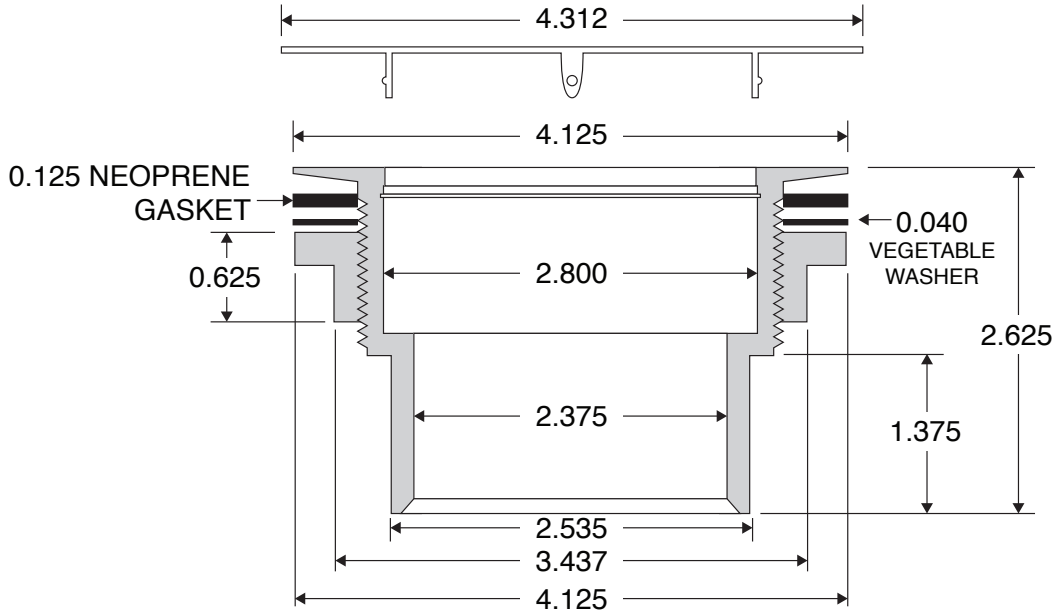




Fiberglass and Acrylic Floor Shower Drains



PRODUCT	MODEL	DESCRIPTION	UNITS/CASE
86055	FS12NPT	ABS, Stainless Steel Strainer – Snap-in	20
86050	4820G	PVC, Stainless Steel Strainer – Snap-in	20
82405	R4820G	PVC, Stainless Steel Strainer – Snap-in (Display Pack)	6



500 Distribution Parkway, Collierville, TN 38017 • Phone: 800-888-8312 • Fax: 901-853-5008 • www.ipscorp.com