

SPECIFICATION SUBMITTAL SHEET

“Drain-in-Shoe” Tubular Brass Waste & Overflow

Job Name: _____ **Contractor:** _____
Job Location: _____ **Approval:** _____
Engineer: _____ **Contractor’s PO#:** _____
Approval: _____ **Representative:** _____

“Drain-in-Shoe” Brass Waste & Overflow

17GA or 20GA Tubular Brass

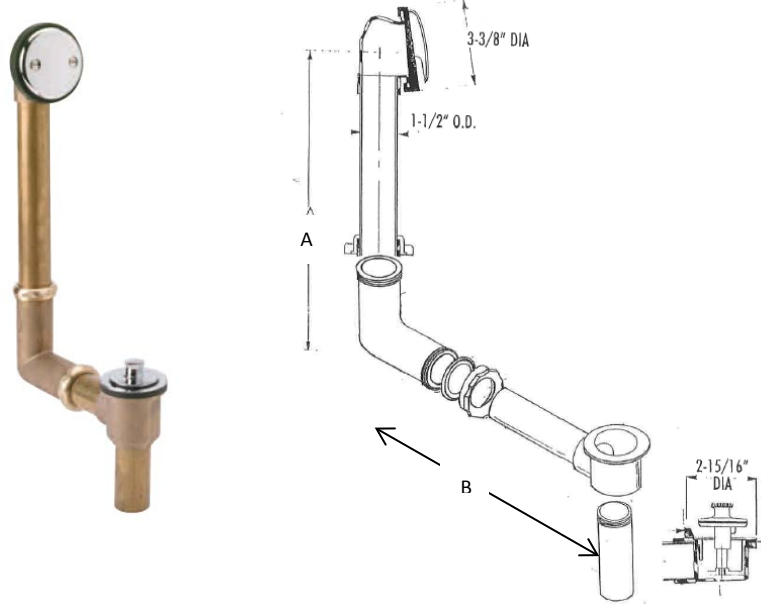
Cast Brass Overflow head, 90° Elbow, and Drain-in-Shoe

2-Hole Brass Chrome Plated Overflow Plate

Brass Strainer

Available with:

- Turn-Top,
- Push eN Lift, or
- Touch-Toe Stopper



Select Part# Below for Style/Size/Finish of Product Specified:

V	Part #	AB&A Part #	Material	Stopper	Dim. A (inches)		Dim. B (inches)	
					Min.	Max.	Min.	Max.
	61165	ABA14469	20Ga Brass	Turn-Top	12-9/16"	15-3/16"	6-1/4"	8"
	64299	ABA14471CS	20Ga Brass	Touch-Toe	12-9/16"	15-3/16"	6-1/4"	8"
	61687	ABA14473	20Ga Brass	Push eN Lift	12-9/16"	15-3/16"	6-1/4"	8"
	61166	ABA14469-17GA	17Ga Brass	Turn-Top	12-9/16"	15-3/16"	6-1/4"	8"
	64306	ABA14471-17GACS	17Ga Brass	Touch-Toe	12-9/16"	15-3/16"	6-1/4"	8"
	61694	ABA14473-17GA	17Ga Brass	Push eN Lift	12-9/16"	15-3/16"	6-1/4"	8"

