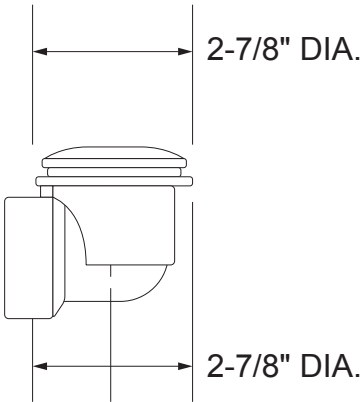
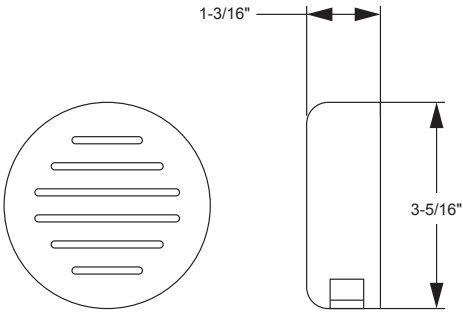




Schedule 40 Waste & Overflow – Classic High-Flow Half Kit w/Test Kit and Touch Toe Stopper

Specification:

- “Classic” High-flow Bath Waste & Overflow Half Kit (Less Pipe and Tee) with Test Kit
- Test kit rated up to 4 stories
- Brass Strainer 1-1/2 x 11-1/2” Pipe Size and Touch Toe Stopper
- ADA Compliant



Item #	Finish	Model #	Units/Case
PVC			
62013	Chrome	ABA2235CSHF	20
62014	Satin Nickel	ABA2239SNCSHF	6
62124	Venetian Bronze	ABA2239VBCSHF	6
62117	Oil Rubbed Bronze	ABA2239ORBCSHF	6
62286	Champagne Bronze	ABA2239CBCSHF	6
62282	Matte Black	ABA2239MBCSHF	6
ABS			
62012	Chrome	ABA2234CSHF	20
62109	Satin Nickel	ABA2238SNCSHF	6
62915	Venetian Bronze	ABA2238VBCSHF	6
62104	Oil Rubbed Bronze	ABA2238ORBCSHF	6
62287	Champagne Bronze	ABA2238CBCSHF	6
62283	Matte Black	ABA2238MBCSHF	6

