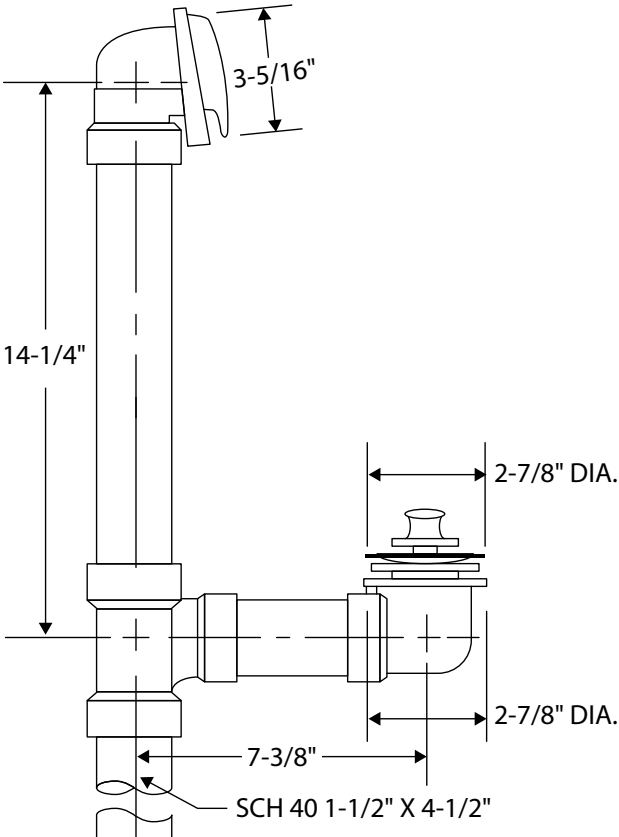




# Schedule 40 Two-Hole Waste & Overflow Full Kit



**Specifications:**

- 1-1/2" Schedule 40 DWV Full Kit
- Includes Test Kit
- Brass strainer and stopper
- Available in PVC or ABS
- Available with Push eN Lift, Turn Top, or Touch Toe Stopper

PRODUCT	DESCRIPTION	MODEL	UNITS/ CASE
<b>PVC</b>			
61306	Chrome, Push eN Lift Stopper	ABA931	20
61043	Chrome, Turn Top Stopper	ABA1130	20
61038	Chrome, Touch Toe Stopper	ABA1236CS	20
<b>ABS</b>			
61303	Chrome, Push eN Lift Stopper	ABA926	20
61041	Chrome, Turn Top Stopper	ABA1125	20
61825	Chrome, Touch Toe Stopper	ABA1230S	20

