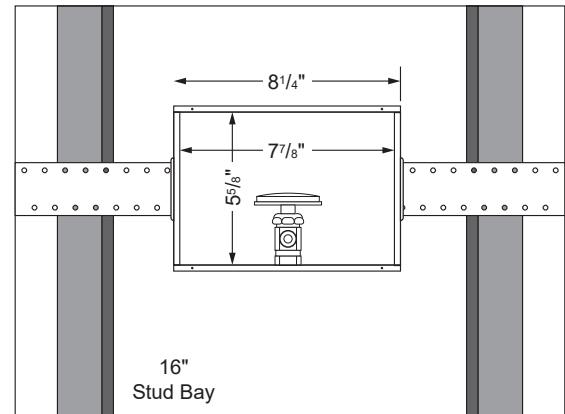
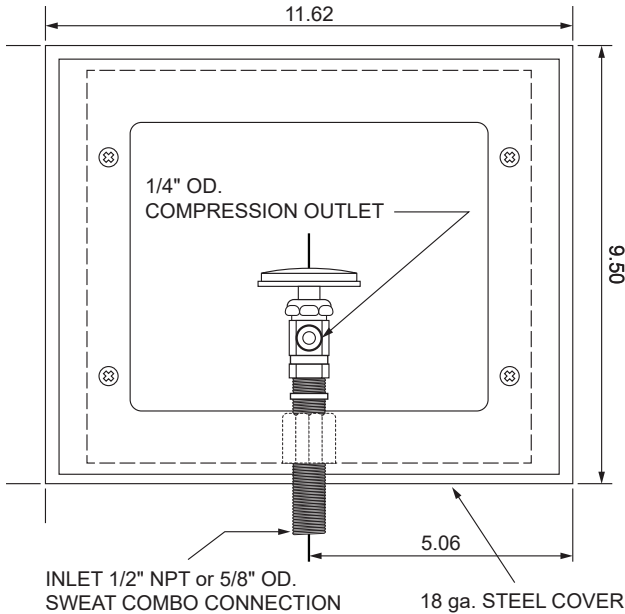


# Galvanized Ice Maker Outlet Box with 1/2" Sweat Connection



**Ice Maker Box Installation Instructions for Model BIM875AB**

- 1) Remove the faceplate that is attached to the ice maker box and save for future installation.
- 2) Using either nails or screws, mount the box to the stud via the flanges on the side of the box.
- 3) Box can be mounted:
  - a) On either side of the stud bay.
  - b) At a height determined by builder/installer.
  - c) In any direction - top mount, etc.
- 4) Connect the copper water supply tubing to the ice maker box valve via sweat/solder connection.
- 5) Check all local codes for appropriate approvals and requirements.
- 6) To the 1/4" outlet of valve attach either:
  - a) Copper supply tubing via compression connection.
  - b) Poly supply tubing via compression connection - brass insert into poly tube is required
  - c) Braided hose via threaded connection.
- 7) Connect to the inlet connection of the refrigerator.

Part #	Replacement Component Description	Qty
88192	Lead Free Domestic Valve	1
96996	Lead Free Brass Connector	1
97030	1/2" Locknut for Valve	1
97031	7/8" Rubber Washers for Valve	1

Part #	Replacement Component Description	Qty
97032	3/4" & 1/2" Reducing Washers for Valve	1
97091	Faceplate	1
90067	Faceplate Screws	4



## Galvanized Ice Maker Outlet Box with 1/2" Sweat Connection

Item #	Replacement Component Description	Model #	Case Qty	Packaging
88510	Galvanized Box with Brass Qtr Turn Valve, Uninstalled, 1/2" Sweat Conx.	BIM875QTSAB	6	Standard Pack
88158	Galvanized Box with Brass Domestic Valve, Uninstalled, 1/2" Sweat Conx.	BIM875AB	6	Standard Pack
88512	Galvanized Box with Brass Qtr Turn Valve, Uninstalled, 1/2" CPVC Conx.	BIM876QTCAB	6	Standard Pack
88514	Galvanized Box with Brass Qtr Turn Valve, Uninstalled, 1/2" F1807 Conx.	BIM877QTPAB	6	Standard Pack



500 Distribution Parkway, Collierville, TN 38017 ▪ Phone: 800-888-8312 ▪ Fax: 901-853-5008 ▪ [www.ipscorp.com](http://www.ipscorp.com)