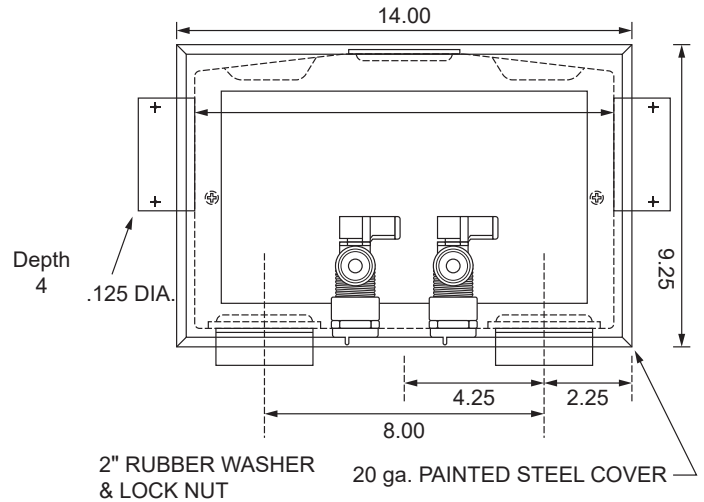
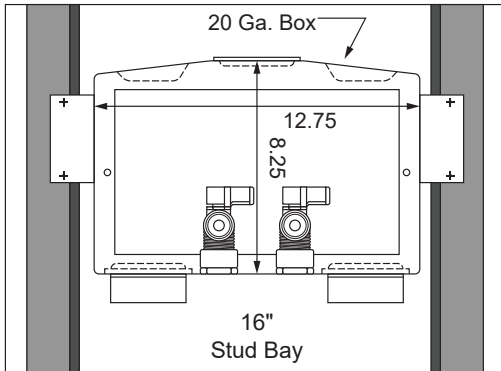


“TT” Series Dual Outlet White Powder Coated WMOB with Qtr-turn Sweat Valves



TT200QTS Washing Machine Outlet Box Installation Instructions

- 1) Remove faceplate that is attached to the washing machine outlet box and save for future installation once sheet rock has been completed.
- 2) Using either nails or screws, mount the box to the stud.
- 3) Box can be mounted on either side of the stud bay.
- 4) Make sure washer box drain is above the water level of the washing machine, approximately 42".
- 5) Choose one of the drain holes in the box and connect a threaded pipe nipple or male adapter (PVC or ABS) to it using the provided Drain Kit. Connect appropriate pipe to the drain fitting used. All piping systems should be made to local codes which require a P-trap installation below washer box.
- 6) Connect the water supply piping to the washing machine box valves using appropriate piping for valve connections. Check all local codes.
- 7) Test all piping joints for leaks. Test drain line if required by local code.
- 8) After sheet rock has been installed, screw the faceplate onto the washing machine box.
- 9) Attach washing machine water supply hoses to the 3/4 hose bibb outlets on the front of the appropriate valves and insert the washing machine drain hose into opening of the 2" drain line from inside the washer box. Make sure drain hose is secured so it does not push out of the box due to the water being forced out of the hose from the washing machine.
- 10) Check all local codes for appropriate approvals and requirements.

Part #	Description	Qty
82341	Description	Qty
88400	Brass Qtr Turn Sweat Valve - Red Handle	2
88401	Brass Qtr Turn Sweat Valve - Blue Handle	2
97030	1/2" Locknut for Valve	2
97031	7/8" Rubber Washers for	2
97032	3/4" & 1/2" Reducing Washers for Valve	2

Part #	Description	Qty
90193	Valve Spacer	2
97034	2" CP Slipnuts for Drain	1
97036	2" Rubber Gaskets for Drain	1
97046	2" Flange Nuts for Drain	1
97095	Faceplate	1
97079	Face Plate Screws	2

Item #	Replacement Component Description	Model #	Case Qty	Packaging
82341	Dual outlet w/2" Qtr-turn Sweat Valves, 2" Slipnut Drain Kit	TT200QTS	6	Standard Pack