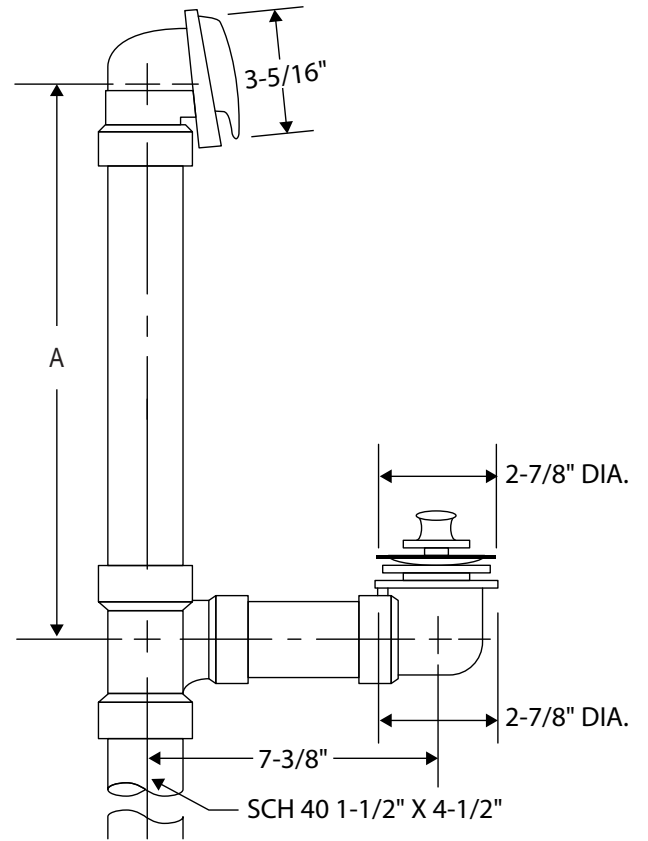




Schedule 40 FLEX Waste & Overflow - Classic High-flow w/Test Kit

Specifications:

- Schedule 40 Waste & Overflow
- Available in PVC & ABS
- “Classic” High-flow Overflow Plate w/Test Kit
- Test kit rated up to 4 stories
- 16" and 24" Flex Overflow Tube not assembled to Tee – can be cut-to-fit
- See Below for Stopper Styles
- Touch Toe stopper is ADA compliant



IPS Part #	AB&A Model	A	Pipe Length	Stopper Style	Finish	Unit/Case
ABS						
61758	ABA2225FLEXHF	19"	16"	Push eN Lift	Chrome	12
61759	ABA2225FLEXZHF	19"	16"	Push eN Lift (Zinc Strainer)	Chrome	12
61667	ABA2258FLEXHF	19"	16"	Turn Top	Chrome	12
61666	ABA2242FLEXCSHF	19"	16"	Touch Toe	Chrome	12
PVC						
61231	ABA2226FLEXHF	19"	16"	Push eN Lift	Chrome	12
61032	ABA2226FLEXZHF	19"	16"	Push eN Lift (Zinc Strainer)	Chrome	12
62139	ABA2259FLEXHF	19"	16"	Turn Top	Chrome	12
61237	ABA2243FLEXCSHF	19"	16"	Touch Toe	Chrome	12
60948	ABA2226FLEX24HF	27"	24"	Push eN Lift	Chrome	12
62244	ABA2259FLEX24HF	27"	24"	Turn Top	Chrome	12
63408	ABA2243FLEX24CSHF	27"	24"	Touch Toe	Chrome	12



500 Distribution Parkway, Collierville, TN 38017 ▪ Phone: 800-888-8312 ▪ Fax: 901-853-5008 ▪ www.ipscorp.com