



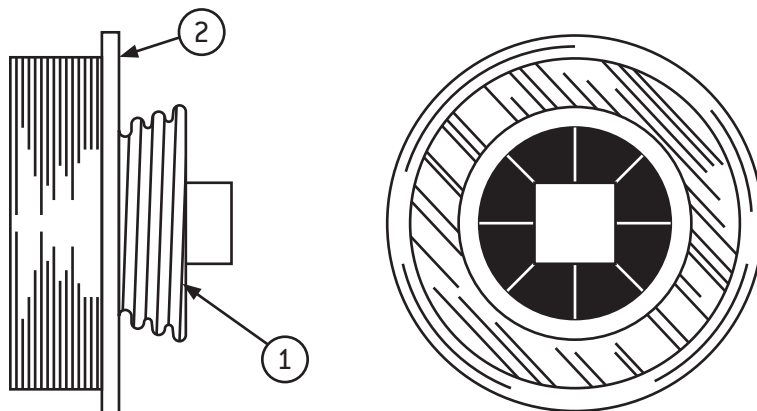
T-Cone Installation Instructions

"T" Cone® Test Plug

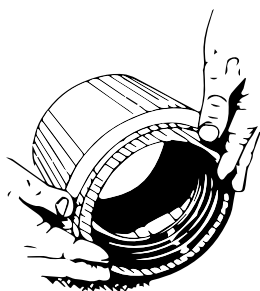
- No metal parts to rust or corrode
- Reusable
- Easy to install and remove
- Test up to 50 ft. head pressure

Materials

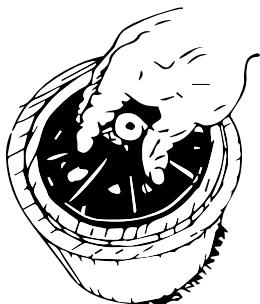
- ① **Rigid plug**
Reinforced polypropylene (All sizes)
- ② **Sealing ring**
1"-3" Flexible PVC
4"-8" Polyurethane elastomer



Installation Instructions for the "T" Cone Test Plug



Check the inside surface of the pipe or throat of fitting in area that stopper will be placed. Make sure it is free of grease, dirt, pipe lube or any other foreign material. On plastic pipe, solvent cleaner may be used to clean the inside surface.



Insert the stopper all the way into the opening and tighten. If stopper turns without tightening, remove and tighten by hand until it fits snugly into the opening.

If necessary, after several uses, lubricate only the threads on the plug. Silicone lube, flax soap, petroleum jelly or Teflon tape may be used. DO NOT USE MOTOR OIL OR THREAD LUBRICANTS COMMONLY USED FOR METAL PIPE.

Do not over tighten. On the smaller sizes (1" thru 3"), tighten until "hand tight" then use adjustable wrench and tighten one-half turn. On the 4" and larger sizes, it only requires about one-half to three-quarters of a turn after "hand tight".

TAPPING PIPE PLUG -

If a testing inlet is needed, the rigid plug can be tapped using a 7/16" drill bit and a 1/4" Standard IPS thread tapping tool. After testing, use a 1/4" pipe plug to seal.

