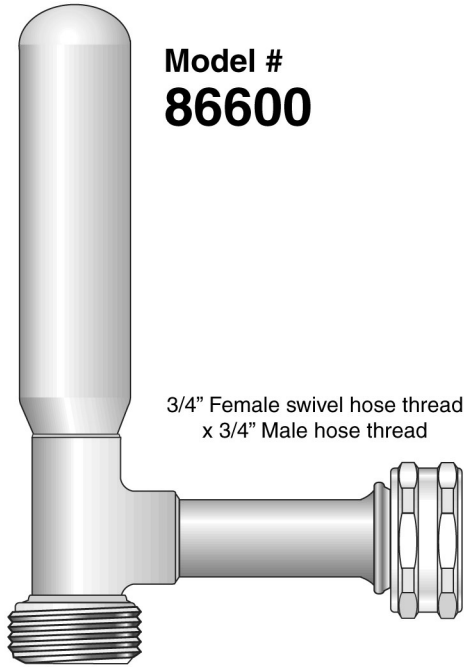


SPECIFICATION SUBMITTAL SHEET

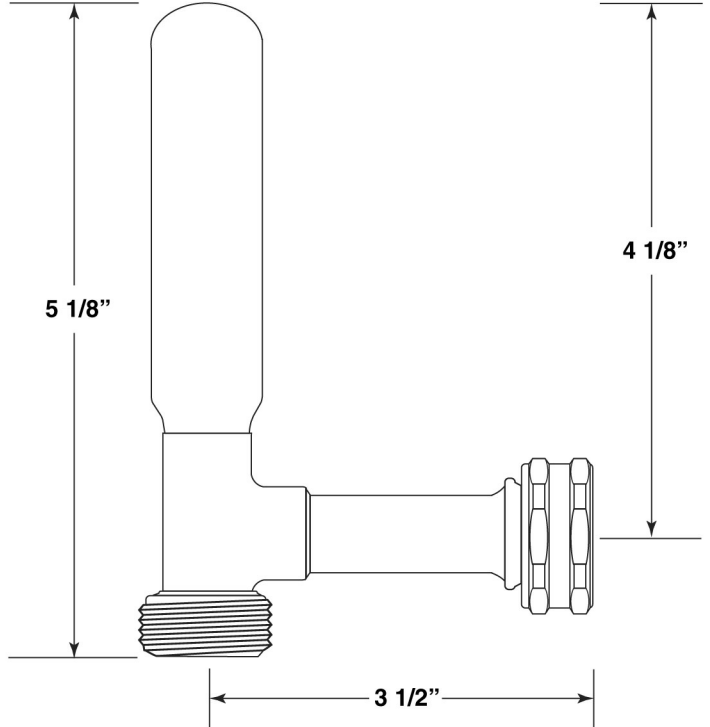


Shock-Buster™ Hammer Arresters



Model #
86600

3/4" Female swivel hose thread
x 3/4" Male hose thread



SPECIFICATIONS

PROD. CODE	MODEL#	DESCRIPTION



www.ipscorp.com ipscorp@aol.com

500 Distribution Parkway, Collierville, TN 38017, USA ■ TEL: 901-853-5001 ■ WATS: 800-888-8312 ■ FAX: 901-853-5008
 455 West Victoria Street, Compton, CA 90220, USA ■ TEL: 310-898-3300 ■ WATS: 800-421-2677 ■ FAX: 310-898-3390