

SPECIFICATION SUBMITTAL SHEET



SCHEDULE 40 WASTE & OVERFLOW, ONE-HOLE FULL KIT With TOUCH TOE STOPPER

Job Name: _____
 Job Location: _____
 Engineer: _____
 Approval: _____

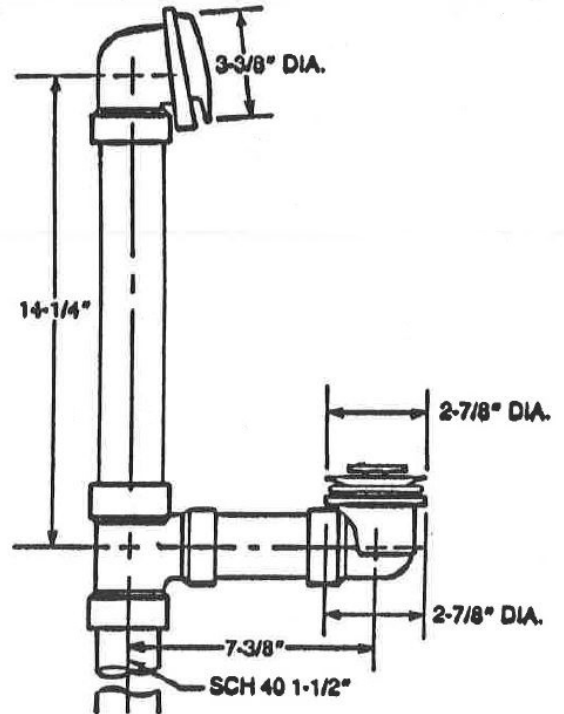
Contractor: _____
 Approval: _____
 Contractor's PO#: _____
 Representative: _____

Specifications

- One-hole waste & overflow
- Full kit includes pipe and tee
- Includes test kit
- Available in PVC and ABS



Shown in ABS



QTY	Model	Product Code	Product Description	Units/ Case
	ABA1200CS	61792	ABS, Chrome	6
	ABA1200CSCT	61793	ABS, Chrome, with Retaining Clip and Test Kit	6
	ABA1210CS	61637	PVC, Chrome	6
	ABA1210CSCT	61799	PVC, Chrome, with Retaining Clip and Test Kit	6

