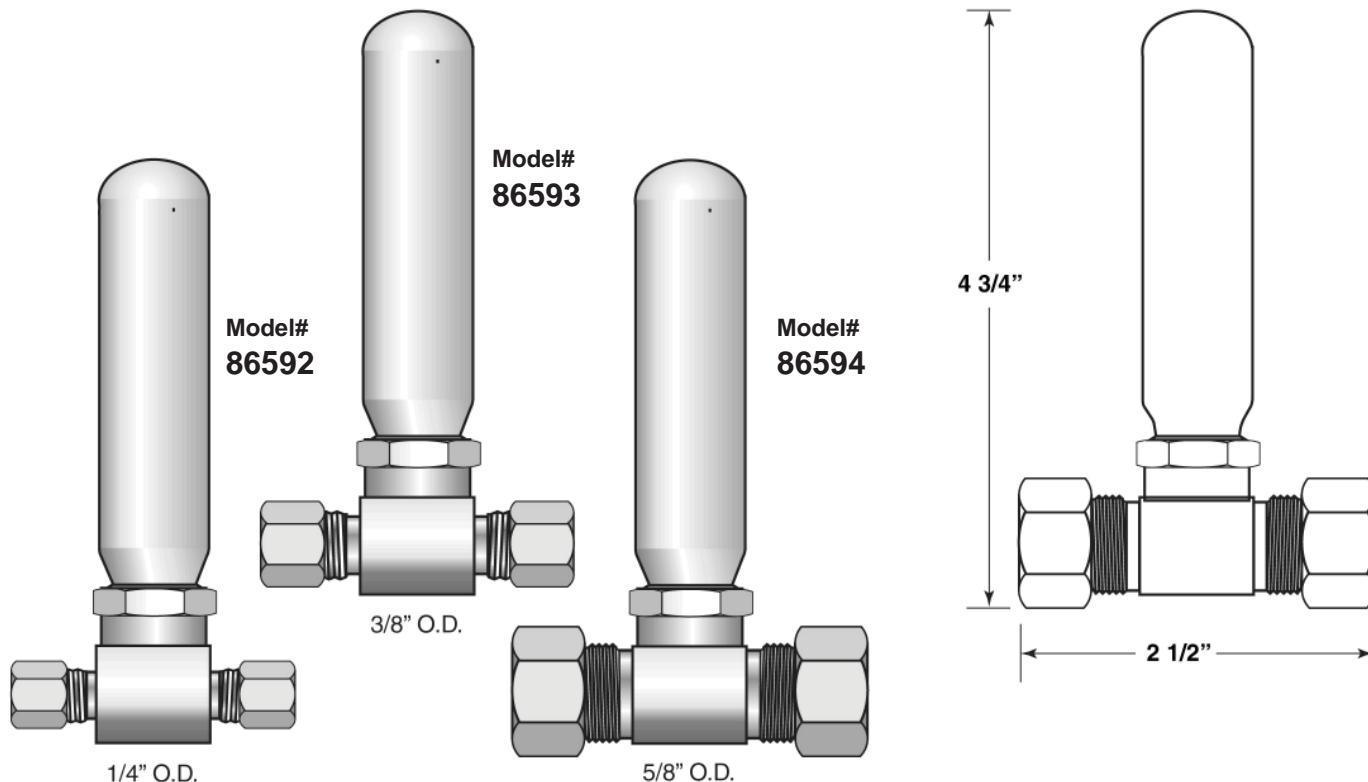


SPECIFICATION SUBMITTAL SHEET



SHOCK-BUSTER™ HAMMER ARRESTERS



Specifications:

IPS Water-Tite #86592, #86593, #86594 “AA” size hammer arrester with double o-ring piston shall be installed in-line on dishwasher, ice maker and lavatory. Unit shall be installed on a single fixture. Hammer Arrester must be ANSI/ASSE 1010 certified.

Working Limits:

Maximum working temperature: 250° F

Maximum working pressure: 250 PSIG

UPC/ANSI/ASSE 1010-2004/Complies with IPC 604.9

Item #	Model #	Product Description
86592	86592	1/4" x 1/4" compression tee hammer arrester
86593	86593	3/8" x 3/8" compression tee hammer arrester
86594	86594	5/8" x 5/8" compression tee hammer arrester

