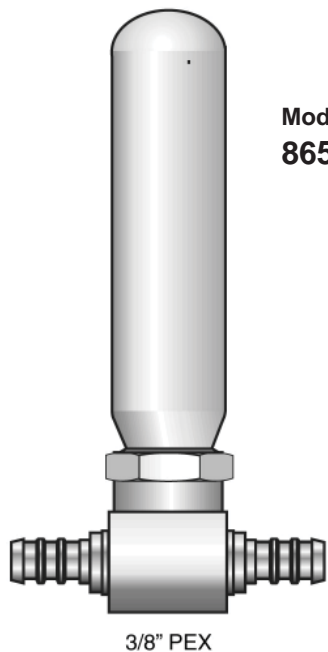


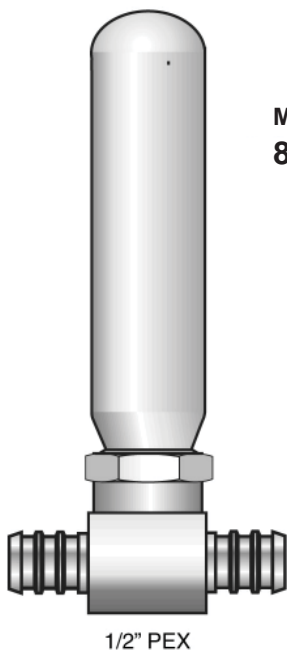
SPECIFICATION SUBMITTAL SHEET



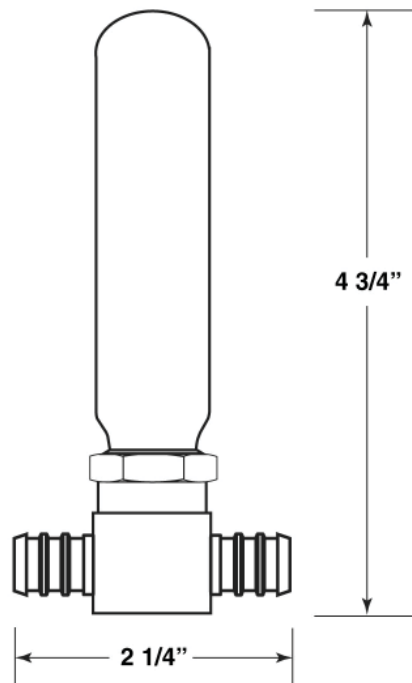
SHOCK-BUSTER™ HAMMER ARRESTERS



Model#  
86597



Model#  
86598



**Specifications:**

IPS Water-Tite #86597 and #86598 "AA" size hammer arrester with double o-ring piston shall be installed on SDR 9 PEX® tubing systems manufactured to ASTM F876 or F877. Unit shall be installed on a single fixture. Hammer Arrester must be ANSI/ASSE 1010 certified and PEX® fitting must conform to ASTM F1807.

**Working Limits:**

Maximum working temperature: 250° F  
 Maximum working pressure: 250 PSIG

UPC/ANSI/ASSE 1010-2004/Complies with IPC 604.9

Item #	Model #	Product Description
86597	86597	3/8" x 3/8" PEX® barb tee hammer arrester
86598	86598	1/2" x 1/2" PEX® barb tee hammer arrester

