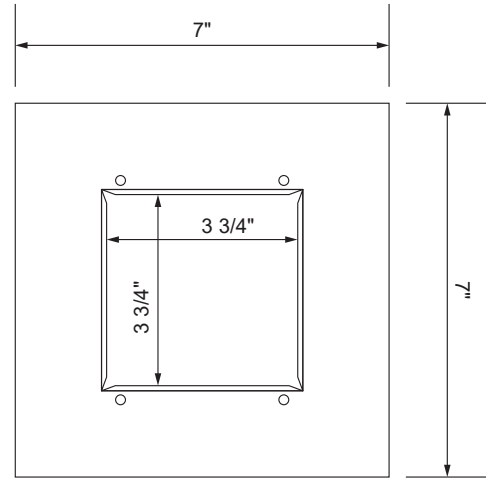
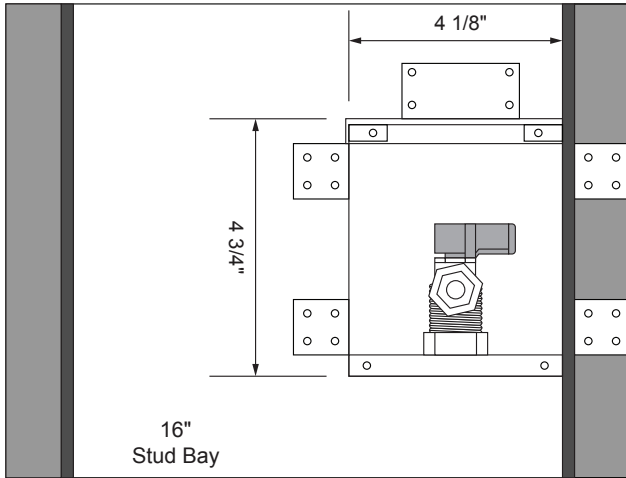




**White Powder Coated Ice Maker Outlet Box
With Lead Free Hammer Arrester Valves**



Specifications:

Furnish and install recessed, white powder-coated ice maker outlet box with a brass quarter turn valve. Unit shall be Guy Gray™ product code checked below as manufactured by IPS Corporation.

Box Material:

The box and faceplate are 20 gauge white powder-coated cold rolled steel.

Valve Options:

The brass quarter turn valves shall comply with NSF61, NSF/ANSI 372, and ASME A112.18.1/CSA B125.1 and shall feature white handle and check-mark logo for easy Lead-Free identification.

Item #	Product Description	Model #	Units/Case
88133	Brass Qtr Turn Valve, Installed, 1/2" Sweat Conx.	MIB1AB	5
88532	Brass Qtr Turn Valve, Installed, 1/2" CPVC Conx.	MIB2AB	5
88178	Brass Qtr Turn Valve, Installed, 1/2" PEX Conx.	MIB3AB	5
88534	Brass Qtr Turn Valve, Installed, 1/2" Sweat Conx. Contractor Pack	MIB4AB	10
88535	Brass Qtr Turn Valve, Installed, 1/2" Wirsbo Conx.	MIB5AB	5



500 Distribution Parkway, Collierville, TN 38017 ▪ Phone: 800-888-8312 ▪ Fax: 901-853-5008 ▪ www.ipscorp.com