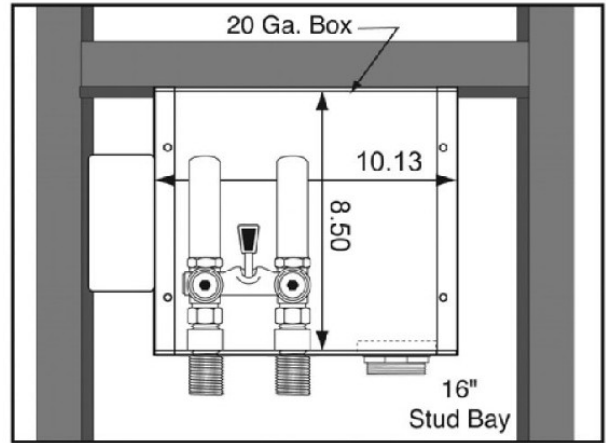
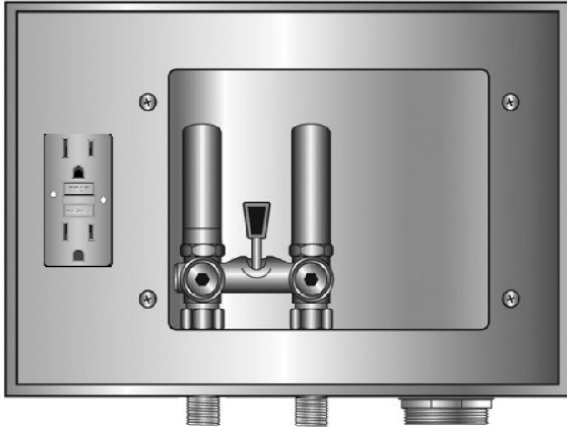


**SPECIFICATION SUBMITTAL SHEET**



**RIGHT DRAIN GALVANIZED WMOB, Single Lever Arrester Valve With GFCI Receptacle**



**Specification:**

Furnish and install right drain galvanized washing machine outlet box with single lever valve and GFCI receptacle. Unit shall be Guy Gray product code as manufactured by IPS Corporation.

**Box Material:**

20 gauge Box and 20 gauge faceplate  
G90 Hot Dipped Galvanized Steel (unpainted)

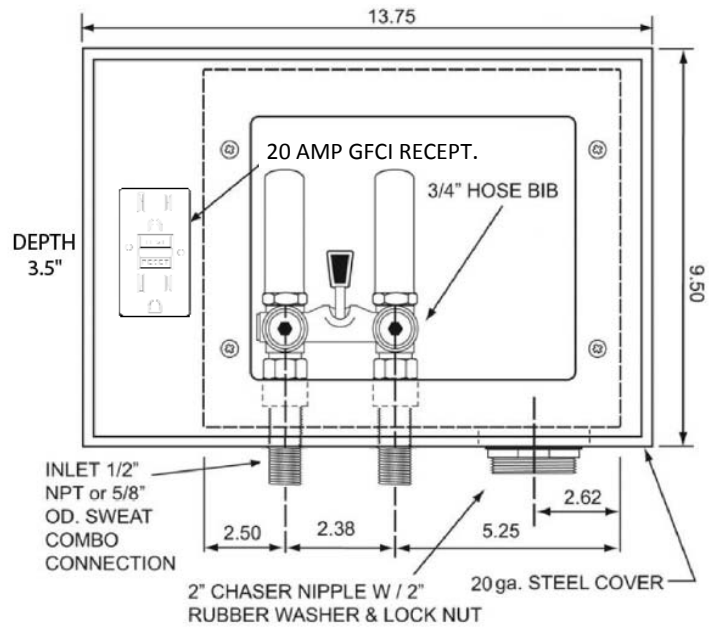
**Valve & Drain Options:**

Single Lever Valve with hammer arresters, 1/2" MIP/ Sweat Connection. 2" Threaded Drain. Valves comply with ASME A112.18.1. Arrester complies with ASME 1010.

**Ground Fault Circuit Interrupter (GFCI)**

**Receptacle:**

UL/CAS Listed  
Rated: 20A, 20A Feed-Through, 125V



Product Code #	Product Description	Model Number	Units/ Case
82631	1/2" MIP/Sweat Conx. Single Lever Arrester Valve, 2" Threaded Drain Fitting, w/GFCI	WBE200HAGF	6

