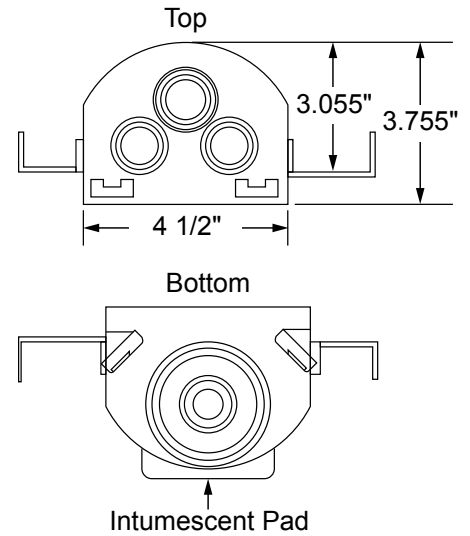
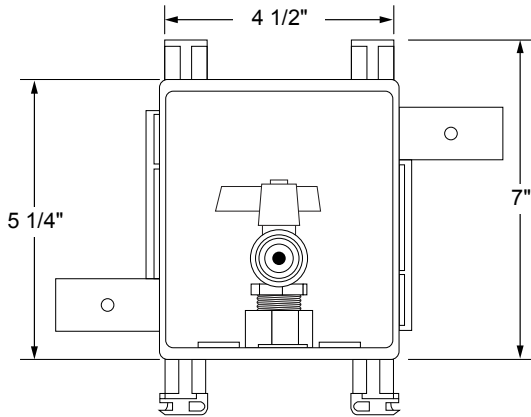




FR MultiBox™ Gas Outlet Box System



Specifications: Furnish and install fire-rated MultiBox Gas Outlet Box. Unit shall be Water-Tite product code checked below, as manufactured by IPS Corporation.

Box Material: PVC

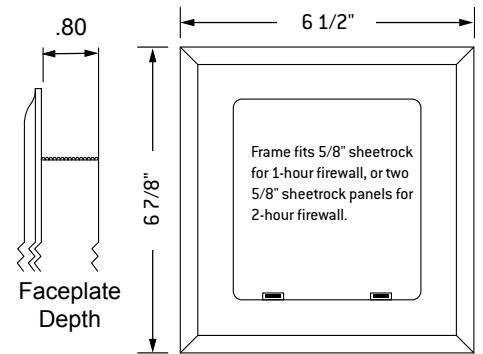
Valve: CSA listed ¼ turn valve

Available Accessories: 3 Universal Faceplates: Open, Solid and Louvered; Stabilizer Bar

Certifications: Valve complies with ANSI Z21/CSA9.1

Box

Boxes have been certified with the following ratings: ASTM E814, 1 Hr (F), 41 Min (T) and 2 Hr (F), 101 Min (T) CAN/ULC-S115-1 Hr (F/FH), 41 Min (FT/FTH) and 2 Hr (F/FH) 101 Min (FT/FTH)



Item #	Model #	Product Description	Quantity
83347	FRMBG1212IP	FR Gas OB, 1/2" Gas Valve	10
83348	FRMBG1212CSST	FR Gas OB, 1/2" Gas Valve for CSST Pipe	10
83349	FRMBG1234IP	FR Gas OB, 3/4" Gas Valve	10