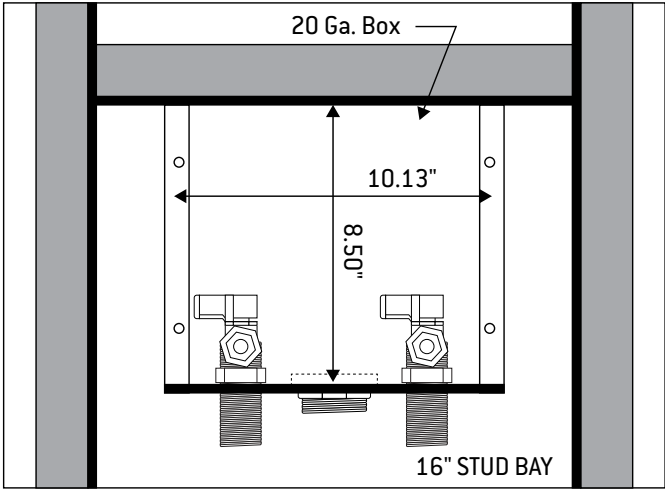
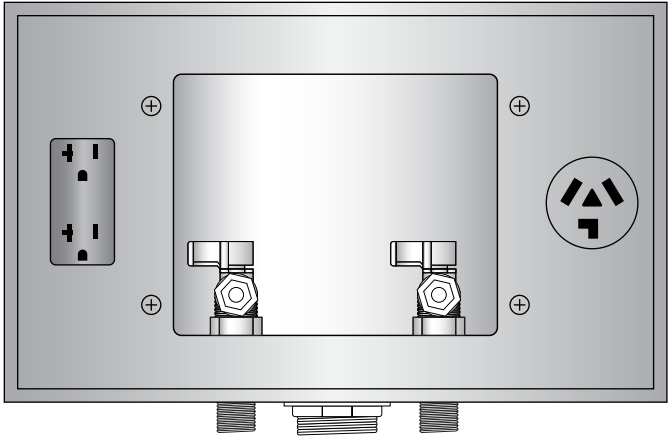




# Center Drain Galvanized WMOB, Quarter-Turn Valves with Duplex and Dryer Receptacles



**Specifications:**

Furnish and install center drain galvanized washing machine outlet box with duplex and dryer receptacles. Unit shall be Guy Gray product code as manufactured by IPS Corporation.

**Box Material:**

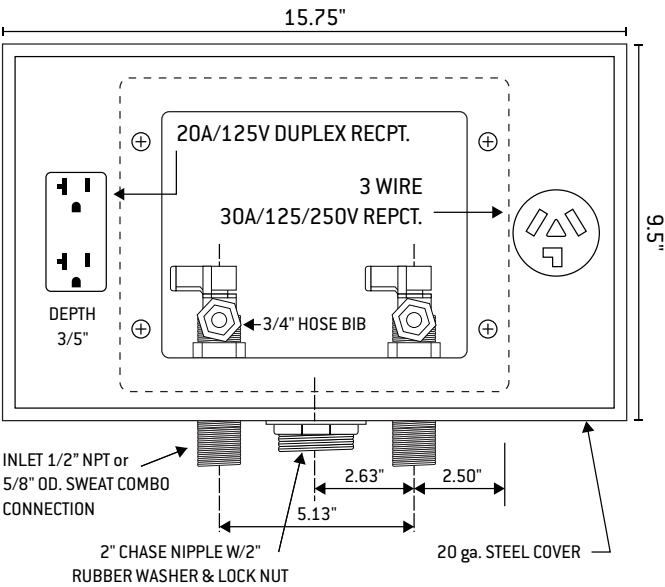
20 gauge Box and 20 gauge faceplate  
G90 Hot Dipped Galvanized Steel (unpainted)

**Valve & Drain Options:**

Domestic 1/2" Quarter-turn MIP/Sweat Connection Valves.  
2" Threaded Drain or 1 1/2" Male Threaded Drain.  
Valves comply with ASME A112.18.1

**Receptacles:**

UL Listed  
Duplex: 20A/125V  
3 Wire Dryer: 30A/125/250V



PRODUCT	DESCRIPTION	MODEL	UNITS/CASE
82028	Domestic 1/2" Qtr-turn MIP/Sweat Conx. Valves, 1-1/2" Threaded Drain Fitting, w/Duplex and 3 Wire Dryer Recpt.	BED150	6
82034	Domestic 1/2" Qtr-turn MIP/Sweat Conx. Valves, 2" Threaded Drain Fitting, w/Duplex and 3 Wire Dryer Recpt.	BED200	6
81978	Domestic 1/2" Qtr-turn MIP/Sweat Conx. Valves, 2" Threaded Drain Fitting, w/Duplex and 3 Wire Dryer Recpt.	BED200P	6
82038	Top Mount Domestic 1/2" Qtr-turn MIP/Sweat Conx. Valves, 2" Threaded Drain Fitting, w/Duplex and 3 Wire Dryer Recpt.	BBED200TS	6

