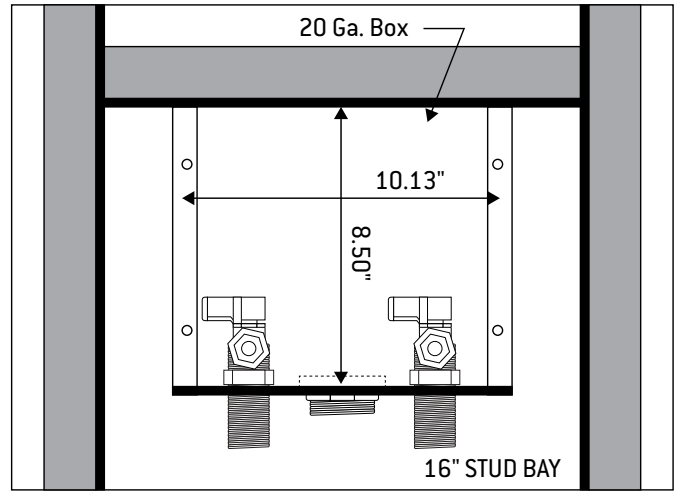
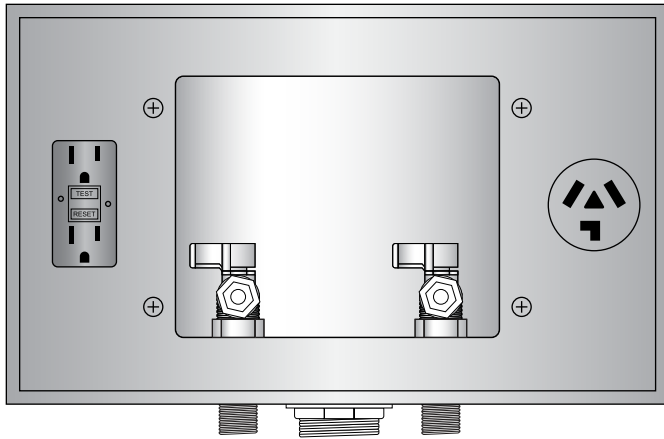




# Center Drain Galvanized WMOB, Quarter-Turn Valves with GFCI (Duplex) and Dryer Receptacles



**Specifications:**

Furnish and install center drain galvanized washing machine outlet box with GFCI (duplex) and dryer receptacles. Unit shall be Guy Gray product code as manufactured by IPS Corporation.

**Box Material:**

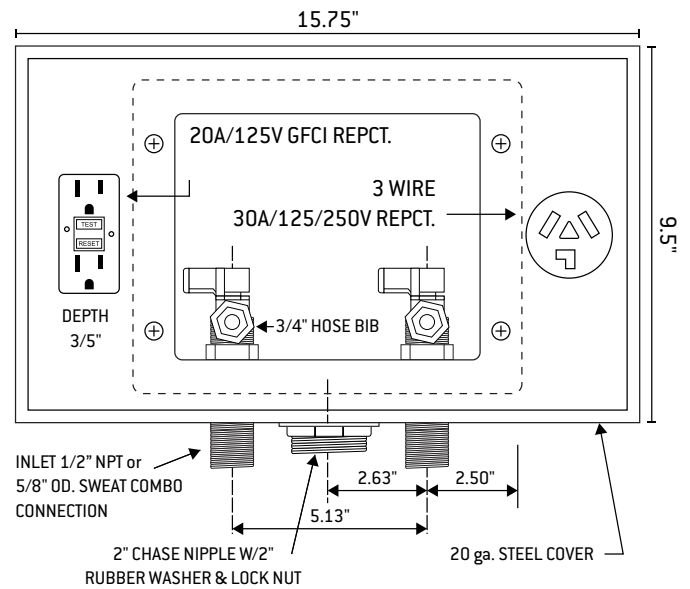
20 gauge Box and 20 gauge faceplate  
G90 Hot Dipped Galvanized Steel (unpainted)

**Valve & Drain Options:**

Domestic 1/2" Quarter-turn MIP/Sweat Connection Valves.  
2" Threaded Drain or 1 1/2" Male Threaded Drain.  
Valves comply with ASME A112.18.1

**Receptacles:**

UL/CSA Listed  
GFCI Duplex: 20A outlet, 20A Feed-Through, 125V  
3 Wire Dryer: 30A/125/250V



| PRODUCT | DESCRIPTION  | MODEL       | UNITS/CASE |
|---------|--|-------------|------------|
| 82632   | Domestic 1/2" Qtr-turn MIP/Sweat Conx. Valves, 1-1/2" Threaded Drain Fitting, w/GFCI and 3 Wire Dryer Recpt.       | BED150GF    | 6          |
| 82634   | Domestic 1/2" Qtr-turn MIP/Sweat Conx. Valves, 2" Threaded Drain Fitting, w/GFCI and 3 Wire Dryer Recpt.           | BED200GF    | 6          |
| 82679   | Domestic 1/2" Qtr-turn MIP/Sweat Conx. Valves, 2" Threaded Drain Fitting, w/GFCI and 3 Wire Dryer Recpt.           | BED200PGF   | 6          |
| 82637   | Top Mount Domestic 1/2" Qtr-turn MIP/Sweat Conx. Valves, 2" Threaded Drain Fitting, w/GFCI and 3 Wire Dryer Recpt. | BBED200TSGF | 6          |

