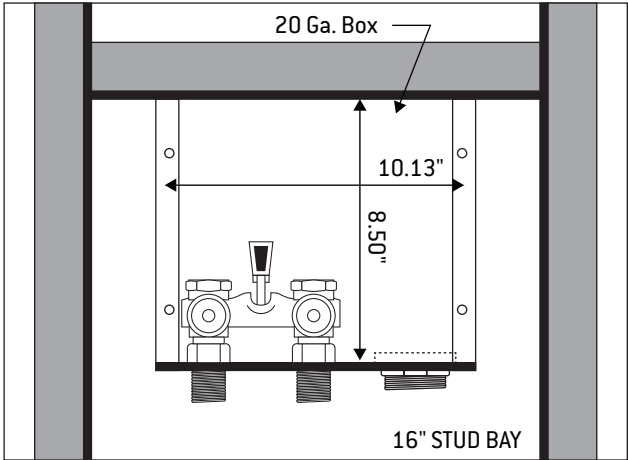
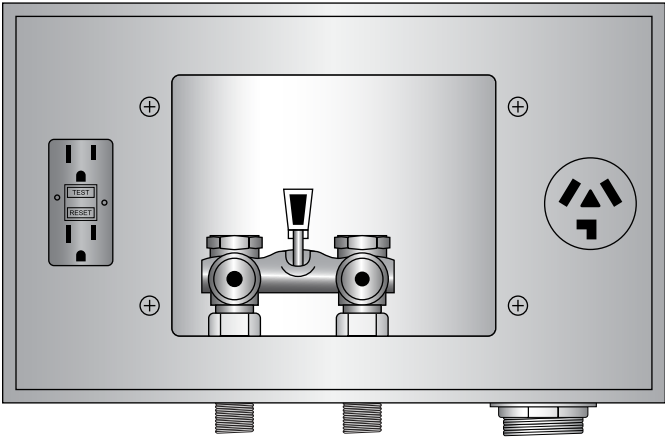




Right Drain Galvanized WMOB, Single Lever Valves With GFCI & Dryer Receptacles



Specification:

Furnish and install right drain galvanized washing machine outlet box with single lever valve and GFCI and dryer receptacles. Unit shall be Guy Gray product code as manufactured by IPS Corporation.

Box Material:

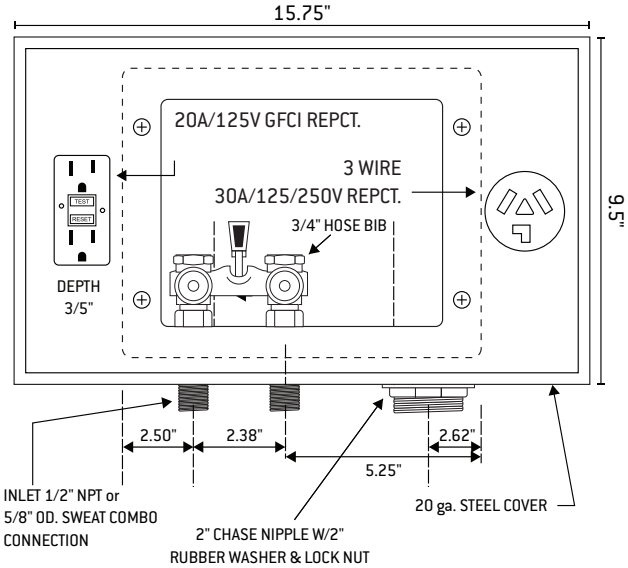
20 gauge Box and 20 gauge faceplate G90 Hot Dipped Galvanized Steel (unpainted)

Valve & Drain Options:

Single Lever Valve with 1/2" MIP/Sweat Connection.
2" Threaded Drain.
Valves comply with ASME A112.18.1

Ground Fault Circuit Interrupter (GFCI) Receptacles:

Rated: 20A outlet, 20A Feed-Through, 125V 3 Wire Dryer Receptacle:
30A/125/250V



LISTINGS	PRODUCT	DESCRIPTION	MODEL	UNITS/CASE
	82041	Qtr-turn Domestic Valves, 1/2" MIP/Sweat Conx, Standard Receptacle	FBED200	6
	82045	Single-Lever Valve, 1/2" MIP/Sweat Conx, Standard Receptacle	WBED200	6
	With GFCI Receptacle			
	82639	Qtr-turn Domestic Valves, 1/2" MIP/Sweat Conx, GFCI & 3 Wire Receptacle	FBED200GF	6
	82669	Single-Lever Valve, 1/2" MIP/Sweat Conx, GFCI & 3 Wire Receptacle	WBED200GF	6
	97093	Replacement Faceplate for Models BED, BBED, WBED, & FBED, 20 Ga. Galvanized	BED	1

