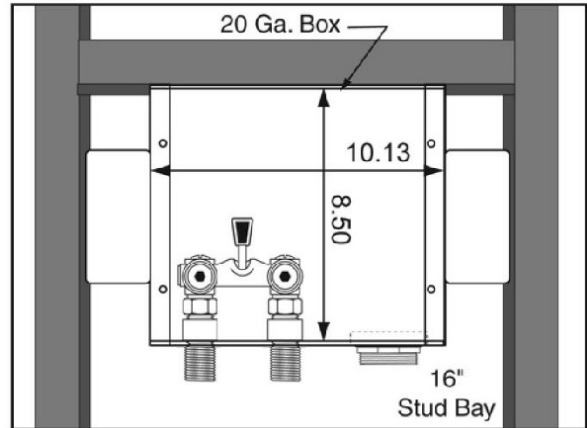
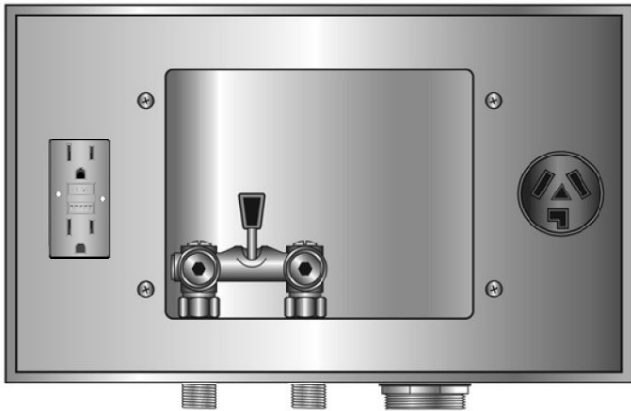


SPECIFICATION SUBMITTAL SHEET



RIGHT DRAIN GALVANIZED WMOB, Single Lever Valves With GFCI & Dryer Receptacles



Specification:

Furnish and install right drain galvanized washing machine outlet box with single lever valve and GFCI and dryer receptacles. Unit shall be Guy Gray product code as manufactured by IPS Corporation.

Box Material:

20 gauge Box and 20 gauge faceplate
G90 Hot Dipped Galvanized Steel (unpainted)

Valve & Drain Options:

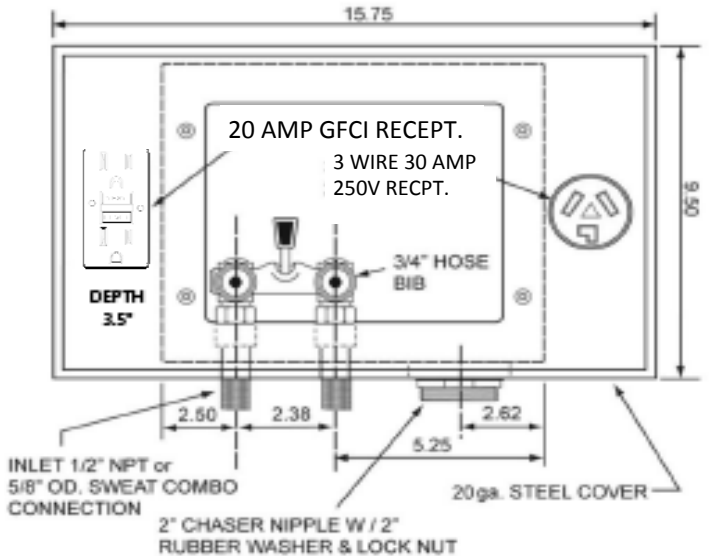
Single Lever Valve with 1/2" MIP/Sweat Connection.
2" Threaded Drain. Valves comply with ASME A112.18.1

Ground Fault Circuit Interrupter (GFCI)

Receptacles:

UL/CSA Listed
Rated: 20A outlet, 20A Feed-Through, 125V

3 Wire Dryer Receptacle: 30A/125/250V



| Product Code # | Product Description | Model Number | Units/Case |
|----------------|---|--------------|------------|
| 82669 | 1/2" MIP/Sweat Conx. Single Lever Valve, 2" Threaded Drain Fitting, w/GFCI and Dryer Recpt. | WBED200GF | 6 |

