

SPECIFICATION SUBMITTAL SHEET



Shower Stall Drain With Solvent Weld Joint

Job Name: _____ **Contractor:** _____
Job Location: _____ **Approval:** _____
Engineer: _____ **Contractor's PO#:** _____
Approval: _____ **Representative:** _____

Specifications

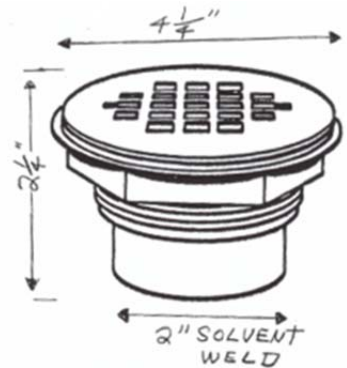
Series 3400

For Use in Fiberglass or Other Pre-formed Shower Stalls

Available PVC or ABS

2" Schedule 40 DWV

Available with White Plastic or Stainless Steel Grille



Select Part# Below for Style/Size/Finish of Product Specified:

√	AB&A Part #	Product Code	Style/Size	Material/Finish
	3400	67015	ABS	White Plastic Grate
	3408	67017	PVC	White Plastic Grate
	3401	67016	ABS	Stainless Steel Grate
	3409	67018	PVC	Stainless Steel Grate

