

SPECIFICATION SUBMITTAL SHEET



Brass Shower Stall Drain with SureFit Connection

Job Name: _____ **Contractor:** _____
Job Location: _____ **Approval:** _____
Engineer: _____ **Contractor's PO#:** _____
Approval: _____ **Representative:** _____

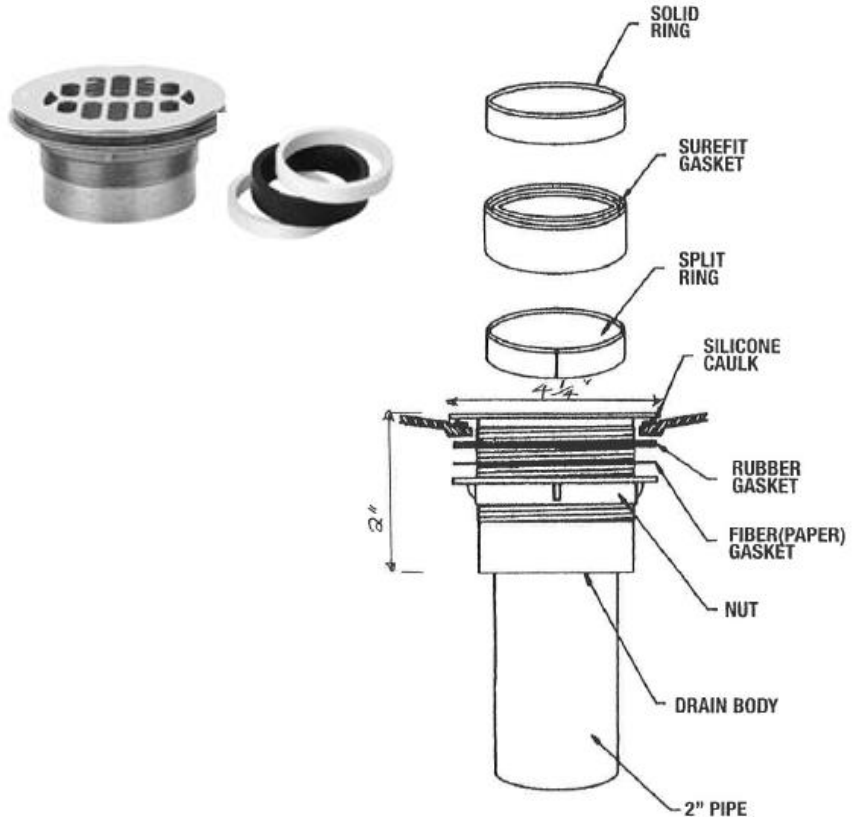
Specifications

Series 6508

For Use in Fiberglass or Other Pre-formed Shower Stalls

Brass Body with 2" SureFit Connection

Stainless Steel Snap-in Grate



Select Part# Below for Style/Size/Finish of Product Specified:

√	IPS Part #	AB&A Model	Style/Size	Material/Finish
	67041	6508	2" SureFit	Brass Body – Stainless Steel Snap-in Grate

