

SPECIFICATION SUBMITTAL SHEET

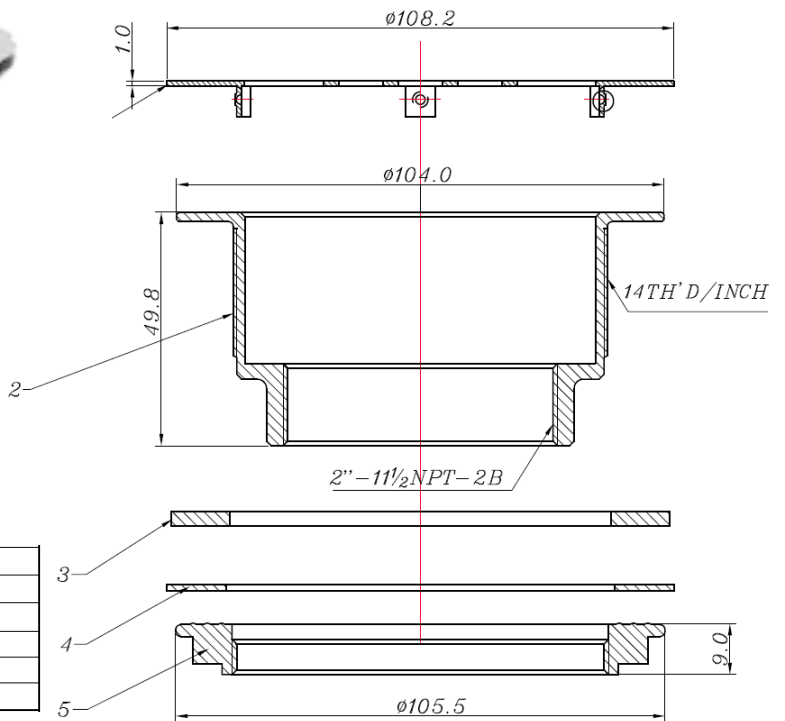


Brass Shower Drain 2" IPS

Job Name: _____	Contractor: _____
Job Location: _____	Approval: _____
Engineer: _____	Contractor's PO#: _____
Approval: _____	Representative: _____

Specifications

- Series 6828**
- Brass Shower Drain**
- 2" IPS (Female)**
- Stainless Steel Grille**
- Brass Locknut**



NO.	DESCRIPTION	Q'TY	MATERIAL	FINISH
5	LOCKING NUT	1	BRASS	ROUGH
4	FIBER WASHER	1	FIBER	RED
3	RUBBER WASHER	1	RUBBER	BLACK
2	BODY	1	BRASS	PLAIN
1	GRATE	1	S.S.#430	PLAIN

Select Part# Below for Style/Size/Finish of Product Specified:

√	Prod Code	AB&A Part #	Style/Size	Material/Finish
	67218	ABA6828	2" Female Iron Pipe Size	Stainless Steel Grate

