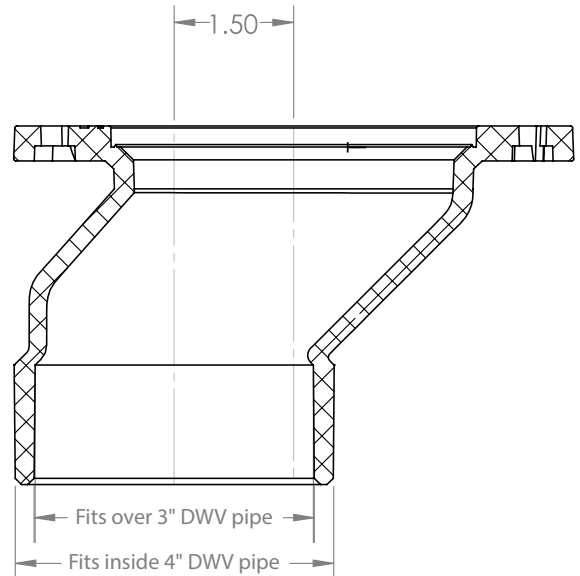




Offset Closet Flange with Adjustable Stainless Steel Ring



Specifications:

Furnish and install Water-Tite offset closet flange with 1.5" offset and full 3" flow for a clog free drainage opening. Offset flange shall comply to ASTM D2665 or D2661 and shall have a corrosion resistance adjustable stainless steel or metal ring. Fits 3" or 4" PVC and ABS DWV pipe available with or without knockout.

Item #	Model #	Product Description	Units/Case
86181	4831M	3" x 4" PVC Offset Closet Flange w/SS Ring	20
86186	5831M	3" x 4" ABS Offset Closet Flange w/SS Ring	20
Includes Knockout			
86245	4831MKO	3" x 4" PVC Offset Closet Flange w/SS Ring and KO	20
86246	5831MKO	3" x 4" ABS Offset Closet Flange w/SS Ring and KO	20
Metal Ring			
86247	4831A	3" x 4" PVC Offset Closet Flange w/Metal Ring	20
86248	5831A	3" x 4" ABS Offset Closet Flange w/Metal Ring	20