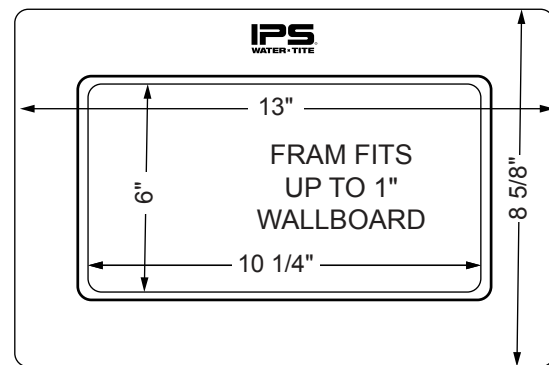
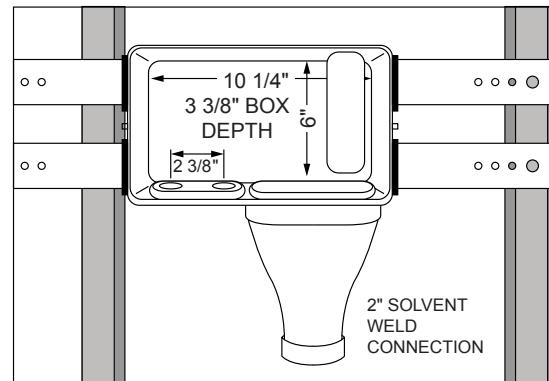
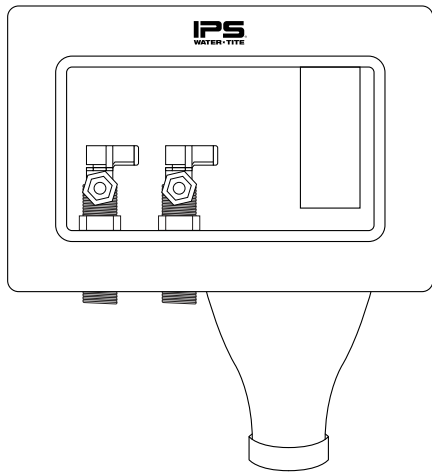




Right Hand Wide Mouth WMOB with Quarter Turn Valves



Specification:

Furnish and install Wide Mouth Washing Machine Outlet Box with left hand drain option. Unit shall be Water-Tite product code checked below, as manufactured by IPS Corporation. Valves comply with ASME A112.18.1.

Certifications:

Box and Valves

PRODUCT	DESCRIPTION	MODEL	UNITS/CASE
Standard Packs			
87351	Brass Qtr-turn Valves, Installed, 1/2" Sweat Conx.	W8900	10
87355	Brass Qtr-turn Valves, Installed, 1/2" CPVC Conx.	W8901	10
87359	Brass Qtr-turn Valves, Installed, 1/2" F1807 Conx.	W8902	10
87378	Brass Qtr-turn Valves, Installed, 1/2" F1960 Conx.	W8911	10
87349	Brass Qtr-turn Valves, Uninstalled, 1/2" Sweat Conx.	W8912	10
87386	Brass Qtr-turn Valves, Uninstalled, 1/2" F1960 Conx.	W8411	10
82771	Brass Qtr-turn Arrester Valves, Installed, 1/2" REHAU EVERLOC+™	W8905	10
87363	Single-lever Valve, Installed, 1/2" Sweat Conx.	W8904	10
Contractor Packs			
87353	Brass Qtr-turn Valves, Installed, 1/2" Sweat Conx.	W8900CP	10
87357	Brass Qtr-turn Valves, Installed, 1/2" CPVC Conx.	W8901CP	10
87361	Brass Qtr-turn Valves, Installed, 1/2" F1807 Conx.	W8902CP	10
87379	Brass Qtr-turn Valves, Installed, 1/2" F1960 Conx.	W8911CP	10
82772	Brass Qtr-turn Valves, Installed, 1/2" REHAU EVERLOC+™	W8905CP	10
87365	Single-lever Valve, Installed, 1/2" Sweat Conx.	W8904CP	10
87398	Single-lever Valve, Installed, 1/2" F1960 Conx.	W8914CP	10
87435	Wide Mouth WMOB, Uninstalled – 1/2" Pex Conx., Knockouts for Top or Bottom Mount	W8902KOCP	10
87385	Brass Qtr-turn Valves, Installed, Top-mount, 1/2" Sweat Conx.	W8900CPTM	10
87383	Brass Qtr-turn Valves, Installed, Top-mount, 1/2" CPVC Conx.	W8901CPTM	10
87384	Brass Qtr-turn Valves, Installed, Top-mount, 1/2" F1807 Conx.	W8902CPTM	10
87382	Brass Qtr-turn Valves, Installed, Top-mount, 1/2" F1960 Conx.	W8911CPTM	10
89277	Replacement Faceplate ¹	89277	1