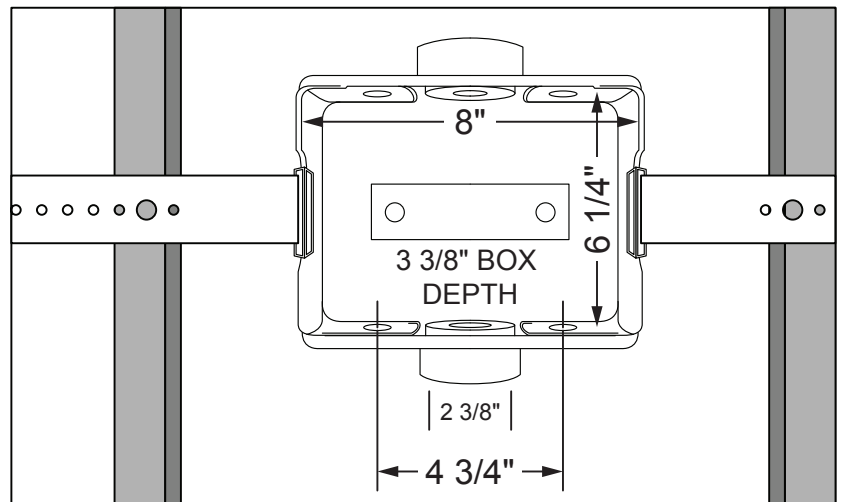
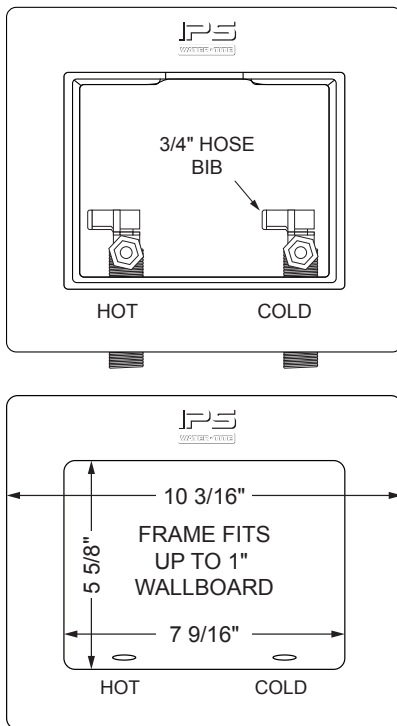




Center Drain Washing Machine Outlet Box



W4700 Series Washing Machine Outlet Box Installation Instructions

1. Remove faceplate that is attached to the washing machine outlet box and save for future installation once sheet rock has been completed.
2. Using either nails or screws, mount the box to the stud.
3. The different length Mounting Flanges can be mounted on either side of the box.
4. Make sure washer box drain is above the water level of the washing machine, approximately 42".
5. Install standpipe to integrated drain coupling in accordance with local code.
6. Connect the water supply piping to the washing machine box valves using appropriate piping for valve connections. Check all local codes.
7. Test all piping joints for leaks. Test drain line if required by local code.
8. After sheet rock has been installed, snap the faceplate onto the washing machine box.
8. Attach washing machine water supply hoses to the 3/4 hose bib outlets on the front of the appropriate valves and insert the washing machine drain hose into opening of the 2" drain line from inside the washer box. Make sure drain hose is secured so it does not push out of the box due to the water being forced out of the hose from the washing machine.
10. Check all local codes for appropriate approvals and requirements.

See second page for replacement parts and item listing.

| PRODUCT | DESCRIPTION | MODEL | UNITS/CASE |
|---------------------------|--|-------|------------|
| Replacement Valves | | | |
| 88400 | Qtr-turn Brass Valve, Red Handle, 1/2" Sweat Connection | 88400 | 1 |
| 88401 | Qtr-turn Brass Valve, Blue Handle, 1/2" Sweat Connection | 88401 | 1 |
| 88402 | Qtr-turn Brass Valve, Red Handle, 1/2" F1807 Connection | 88402 | 1 |
| 88403 | Qtr-turn Brass Valve, Blue Handle, 1/2" F1807 Connection | 88403 | 1 |
| 88250 | Qtr-turn Brass Valve, Red Handle, 1/2" CPVC Connection | 88250 | 1 |
| 88251 | Qtr-turn Brass Valve, Blue Handle, 1/2" CPVC Connection | 88251 | 1 |
| 88406 | Qtr-turn Brass Valve, Red Handle, 1/2" F1960 Connection | 88406 | 1 |
| 88407 | Qtr-turn Brass Valve, Blue Handle, 1/2" F1960 Connection | 88407 | 1 |
| 88536 | Qtr-turn Brass Valve, Red Handle, REHAU | 88536 | 1 |
| 88537 | Qtr-turn Brass Valve, Blue Handle, REHAU | 88537 | 1 |
| 89917 | 1/2-14 Hex Locknut | 6240 | 1 |
| 89267 | Dual-Drain & Standard WMOB (10-3/16" x 8-13/16") Faceplate | W7070 | 1 |

| PRODUCT | DESCRIPTION | MODEL | UNITS/CASE |
|----------------------------------|--|---------|------------|
| Standard Packs | | | |
| 82064 | Brass Qtr-turn Valves, Installed, 1/2" Sweat Conx. | W4700 | 10 |
| 82066 | Brass Qtr-turn Valves, Installed, 1/2" CPVC Conx. | W4701 | 10 |
| 82068 | Brass Qtr-turn Valves, Installed, 1/2" F1807 Conx. | W4702 | 10 |
| 82003 | Brass Qtr-turn Valves, Installed, 1/2" F1960 Conx. | W4711 | 10 |
| 82308 | Brass Qtr-turn Valves, Installed, 1/2" Viega Conx. | W4722 | 10 |
| 82752 | Brass Qtr-turn Valves, Installed, 1/2" REHAU EVERLOC+™ | W4705 | 10 |
| 87203 | Washer Box Only – No Valves, 1-1/2" x 2" Coupling | W4015 | 10 |
| 87204 | Washer Box Only – No Valves | W4012 | 10 |
| Contractor Packs | | | |
| 82065 | Brass Qtr-turn Valves, Installed, 1/2" Sweat Conx. | W4700CP | 20 |
| 82067 | Brass Qtr-turn Valves, Installed, 1/2" CPVC Conx. | W4701CP | 20 |
| 82069 | Brass Qtr-turn Valves, Installed, 1/2" F1807 Conx. | W4702CP | 20 |
| 82004 | Brass Qtr-turn Valves, Installed, 1/2" F1960 Conx. | W4711CP | 20 |
| 82753 | Brass Qtr-turn Valves, Installed, 1/2" REHAU EVERLOC+™ | W4705CP | 20 |
| Center Drain Display Pack | | | |
| 81977 | Brass Qtr-turn Valves, Installed 1/2" F1807 | R4702 | 4 |